

Pablo[®]
2022
NEW PRODUCTS

See the Light

CELEBRATING
30 YEARS OF
ILLUMINATION

ABOUT PABLO DESIGNS

Pablo's designs have been propelled to the forefront of American contemporary lighting by an uncompromising devotion to simplicity and utility. By fusing the highest technical sensibilities with the most appropriate material palette, Pablo is able to create unique, timeless designs with the power to transform any environment. Pablo was founded in San Francisco in 1993 by Venezuelan born industrial designer Pablo Pardo. Embracing a less-is-more ideology, Pablo frequently challenges traditional design metaphors, developing more practical solutions distilled down to their essence, form and light. A common thread links all of its creations, valuing permanence and sustainability, discarding the disposable mindset so prevalent today. Its mission is to create designs that deepen the relationship between objects, their users, and their environments.

FOUNDER / CREATIVE DIRECTOR

Pablo Pardo

With the creation of his first product in 1993, Pablo established a powerful and generative design philosophy. Since then, his core principles have informed the development of every light in the studio's 28-year history. These products continue to move with culture while withstanding trends in design and each one carries the underlying uniqueness that is distinctly "Pablo."



DESIGN COLLABORATIONS



Brad Ascalon

Brad Ascalon's multidisciplinary Manhattan studio was founded in 2006. With a reductive approach to his craft, Ascalon believes in design that is uncomplicated, rational and manages to find the perfect balance of form, function, and concept. Ascalon's work has been exhibited around the world, and in 2013 he was singlehandedly invited to represent American design with an installation at Moscow Design Week. Ascalon earned a Masters' degree for Industrial Design from New York's Pratt Institute in 2005, and that same year was recognized by Wallpaper magazine as one of the "Ten Most Wanted", emerging designers in the world. He attributes his passion for design to the two generations before him who instilled the value of craftsmanship and rigor.



Carmine Deganello

Based in Amsterdam and Milan, Deganello's creative process begins with materiality and an empirical approach that is highly experimental. Research on materials and the ways in which they can unexpectedly drive the productive process is essential to his work. His lamp, Solis, is a product of Carmine's shared sensibilities and long-term collaboration with Pablo. Deganello has worked extensively in Europe as well as the United States, his projects have been presented, among others, at the Triennale Design Museum as part of the New Italian Design collection and at the MAK Museum for applied and contemporary art in Vienna. He is a graduate of Florence's Instituto Superiore per la Industrie Artistiche.



Pablo Studio

The Pablo Studio is a small group of makers and inventors with a diverse background in industrial design and craft, and a deep understanding of manufacturing, materials and technology. They aim to foster a sense of discovery and deeply personal utility in people's interaction with objects. In beginning a new project, the team isolates a concept, meticulously refines it, and then reduces it to its central principle. The studio requires each design element to contribute to the essence of an object, following the Pablo philosophy of "less is more." Pablo Studio works together to develop products that offer people unique experiences and broaden the field of lighting design.

PRODUCT FAMILIES



BELMONT
6-11



BOLA LANTERN
12-17



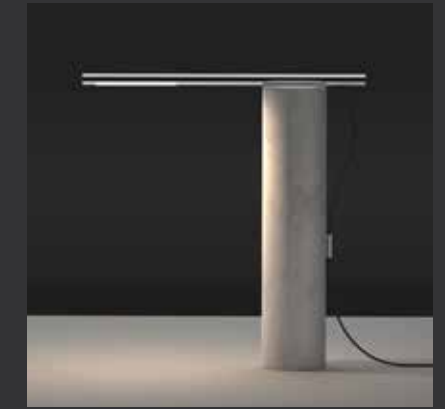
CANDÉL
18-21



SKY
64-79



TALIA
80-85



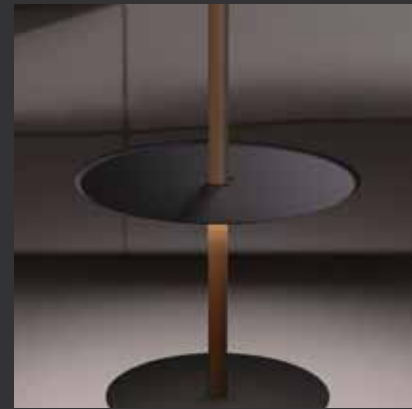
T.O
86-95



CAROUSEL
22-31 Q3 2022



LUCI
32-39



NIVÉL PEDESTAL
40-43 Q1 2023



T.O PENDANT
96-103 Q1 2023



TOTEM
104-113 Q1 2023



NIVÉL TABLE & FLOOR
44-49 Q1 2023



NIVÉL PENDANT
50-57

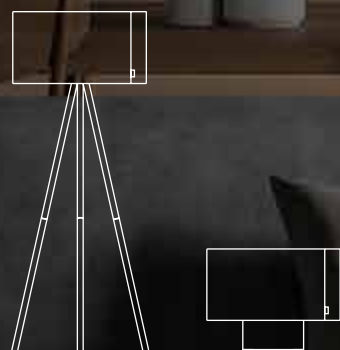


PILAR
58-63

BELMONT

The Belmont Collection was a collaborative creation with designer Brad Ascalon. Re-envisioning the traditional fabric shade lamp, but with the warmth and preciousness of hand crafted furniture. Belmont's iconic, yet reductive form creates a natural canvas for displaying an exquisite array of textiles from premium wool to colorful woven fabrics that can be paired with a solid crafted oak wood armature. Belmont Floor floats over a majestic trio of solid wood posts while Belmont Table sits atop a solid wood base that echoes the shade form. Perfectly suited for residential and hospitality environments alike, Belmont Floor and Table are offered in three luxurious shade colors with two rich wooden finishes.

Designer: Brad Ascalon + Pablo Pardo + Pablo Studio 2020



BELMONT TABLE

DESCRIPTION

An elegant interplay of proportion and material, the Belmont Table Lamp is designed to illuminate interiors from modern to traditional. Its iconic shade form is comprised of premium wool felt fabric or premium woven white fabric that is delicately balanced over a contrasting hand-crafted solid wood base in oak or walnut. Belmont's unique base also features full range dimming to set the perfect ambiance while two convenient USB ports offer charging capability for all your mobile devices. Belmont Table sits perfectly in residential as well as hospitality and contract environments offering a low sitting light solution that focuses on indirect upward light with a warm and bright glow. Three standard shade colors are interchangeable with 2 wood base finishes.

FIXTURE TYPE

Table

LIGHT SOURCE

(2) E26 medium base A19/A21 Classic bulbs, 15W (100W equivalent) 1600 lm per bulb
Optional: (2) BT-15 Halogen, 72W, 1490 lm per bulb

LIGHT CONTROL

In-line dimmer

FEATURES

(2x) USB charging ports
Full range dimming

SPECIFICATIONS

Voltage: 120 or 240V 50/60Hz
Power Consumption: 30W (2x 15W LED bulbs)
Color Temperature: 2700K
Luminosity: 3200 Lumens
Luminaire efficacy: 106 Lumens/Watt
Color Rendition Index: 90 CRI
Cable Length: 9' (2.7m)

CERTIFICATIONS



FINISHES

WOOD



OAK



WALNUT

FABRIC



CHARCOAL



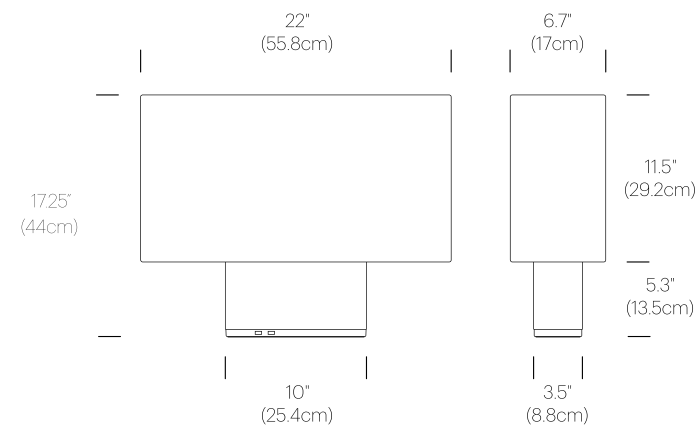
SILVERDALE



WHITE

DIMENSIONS

BELMONT TABLE



PACKAGING WEIGHT AND DIMENSIONS

Belmont Table	11LBS	22.5" X 17" X 8.5"
	5KG	57.2cm X 43cm X 17.8cm

NOTES

Custom requests can be considered on volume orders



BELMONT FLOOR

DESCRIPTION

An elegant interplay of proportion and material, Belmont Floor's timeless design is perfectly at home in both modern and traditional settings. Its iconic raceway shade form is lined with premium felted wool or premium woven white fabric that is delicately balanced over a graceful tri-pod leg assembly hand-crafted from solid oak or walnut. Belmont Floor's majestic frame stands at a 62.5" (159cm) height providing warm and bright illumination that's fully dimmable to set the perfect ambiance in any living area. Perfectly suited for residential and hospitality environments alike, Belmont Floor is offered in three luxurious shade colors with rich wooden finishes.

FIXTURE TYPE

Table

LIGHT SOURCE

(2) E26 medium base A19/A21 Classic bulbs,
15W (100W equivalent) 1600 lm per bulb
Optional: (2) BT-15 Halogen, 72W, 1490 lm per bulb

LIGHT CONTROL

In-line foot switch
Full range dimming (100-10%)

FEATURES

Ambient direct and indirect light source
ships flat-packed

SPECIFICATIONS

Voltage: 120 or 240V 50/60Hz
Power Consumption: 30W (2x 15W LED bulbs)
Color Temperature: 2700K
Luminosity: 3200 Lumens
Luminaire efficacy: 106 Lumens/Watt
Color Rendition Index: 90 CRI
Cable Length: 9' (2.7m)

CERTIFICATIONS



FINISHES

WOOD



OAK



WALNUT

FABRIC



CHARCOAL



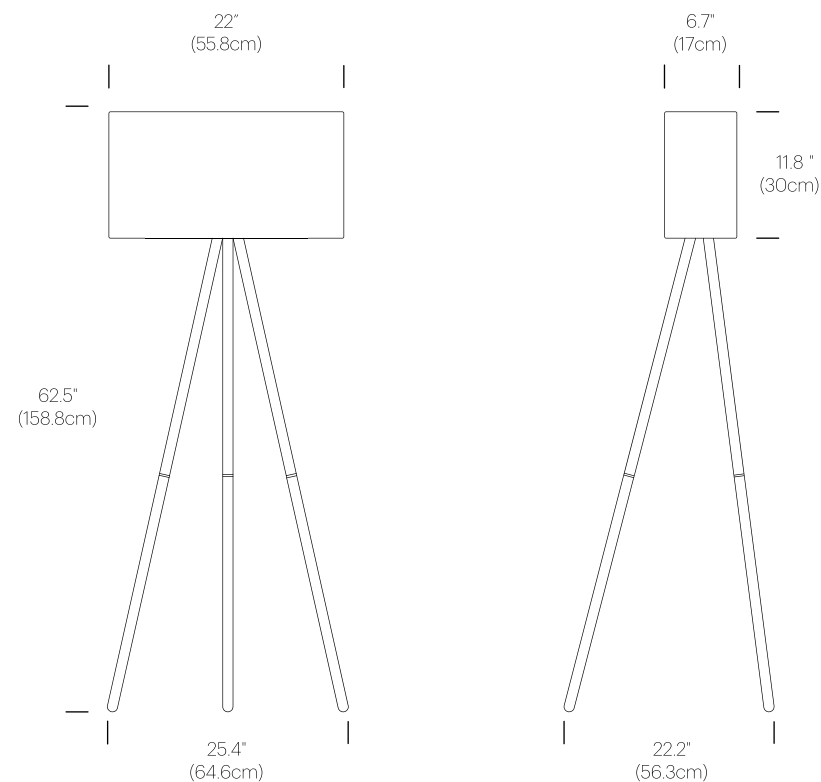
SILVERDALE



WHITE

DIMENSIONS

BELMONT FLOOR

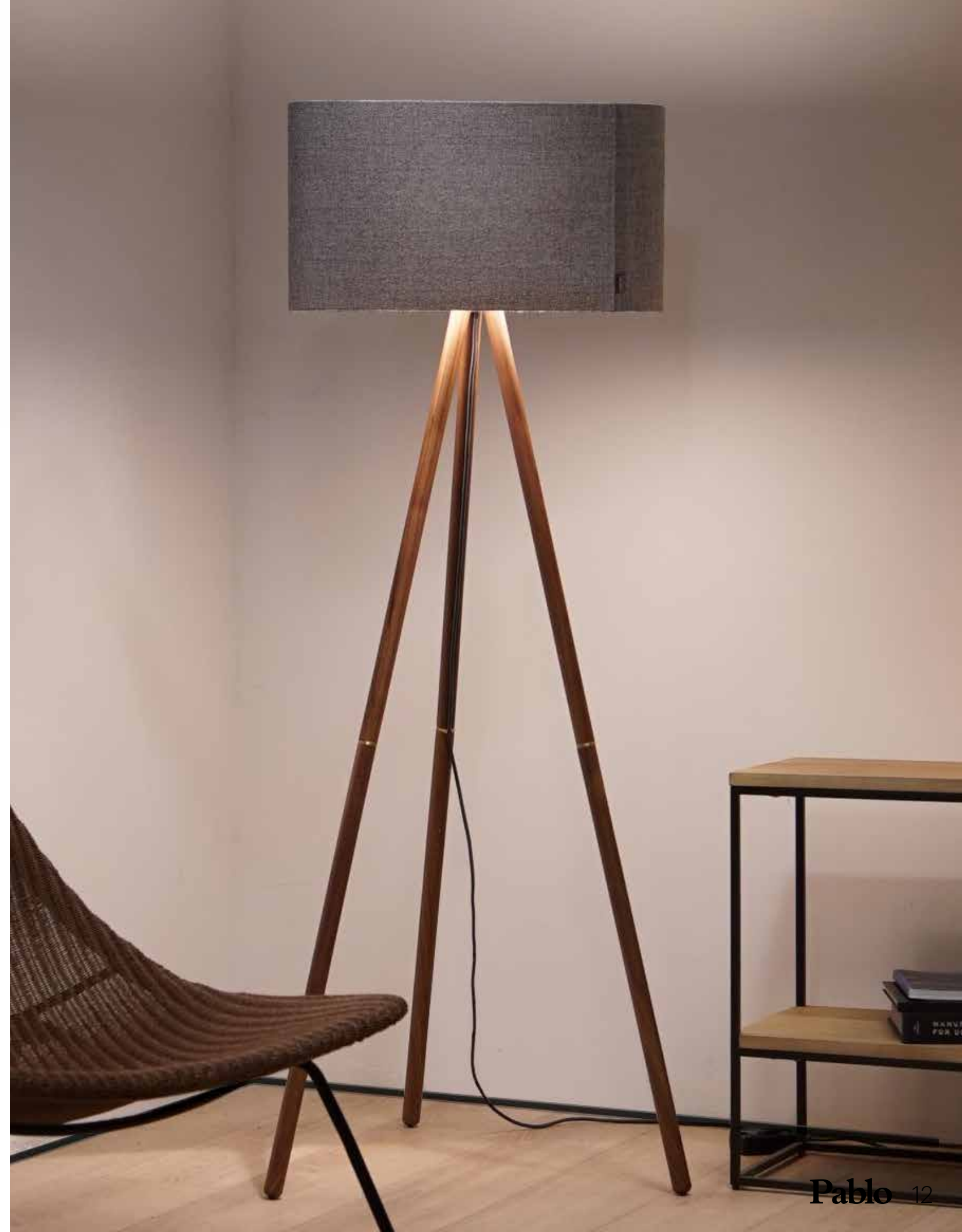


PACKAGING WEIGHT AND DIMENSIONS

Belmont Floor (shade and socket)	7.7LBS 3.5KG	22.5" X 17" X 8.5" 57.2cm X 43cm X 17.8cm
Belmont Floor (legs)	5.7 LBS 2.4KG	28.9" X 4.1" X 3.9" 73.5cm X 10.3cm X 10cm

NOTES

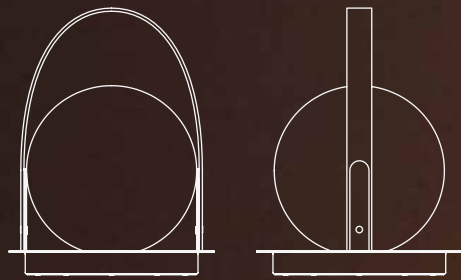
Custom requests can be considered on volume orders



BOLA LANTERN

Based on the Bola Sphere Table 8, the Bola Lantern adds a premium leather handle and a rechargeable battery that enables a level of portability new to the Bola Family. Bola Lantern's size and stature give a sense of presence that is unfound with portables, while maintaining the lightness associated with the floating orbs that are Bola. Discs are available in chrome, brass, gunmetal, and matte black. The leather handles are available in a natural vegetable tanned leather and black. Battery life ranges from 10 - 300+ hours depending on light intensity. Bola Lantern produces 280 lumens of warm ambient light.

Designer:
Pablo Pardo + Pablo Studio 2021



BOLA LANTERN

DESCRIPTION

Based on the Bola Sphere Table 8, the Bola Lantern adds a premium leather handle and a rechargeable battery that enables a level of portability new to the Bola Family. Bola Lantern's size and stature give a sense of presence that is unfound with portables, while maintaining the lightness associated with the floating orbs that are Bola. Discs are available in chrome, brass, gunmetal, and matte black. The leather handles are available in a natural vegetable tanned leather and black. Battery life ranges from 10 - 300+ hours depending on light intensity. Bola Lantern produces 280 lumens of warm ambient light.

FIXTURE TYPE

Portable

LIGHT SOURCE

LED High-Output chip on board

LIGHT CONTROL

Mechanical push button
Full range dimming (100-10%)
4-stage dimming (100/40/20/3%)

FEATURES

Portable and rechargeable
10-300+hr Battery life
USB charging cable included
Surface mount

SPECIFICATIONS

Power Consumption: 3.2W
Color Temperature: 2700-1800K (warm dim)
Luminosity: 280 Lumens
Luminaire Efficacy: 87 Lumens/Watt
Color Rendition Index: 95 CRI
Cord length 6' (1.8m)
IP 54 Damp rating

CERTIFICATIONS



FINISHES

LEATHER HANDLE



BLACK



TAN

DISC



GUNMETAL



CHROME



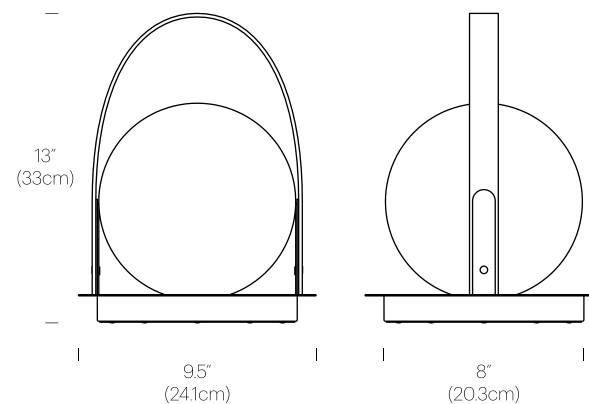
MATTE BLACK



BRASS

DIMENSIONS

BOLA LANTERN



PACKAGING WEIGHT AND DIMENSIONS

Bola Lantern	4LBS	10" X 10.8" X 14.5"
	1.8KG	25cm X 25cm X 37cm

NOTES

Custom requests can be considered on volume orders



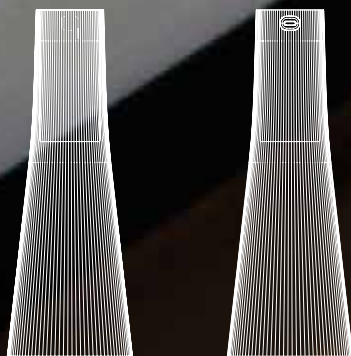


CANDÉL

Inspired by a cone of light, Candél's graceful vessel-like silhouette is in perfect harmony with its surroundings allowing the environment to filter through. Candél casts a warm, intimate candle-like glow that's sure to seduce and become the central focus of any social gathering. Candél is a fully rechargeable portable LED light designed for both indoors and outdoors. Features a robust PMMA body in Clear or Bronze tint combined with a striking anodized aluminum light module that offers capacitive touch light control to provide up to 4 light levels to set the perfect ambiance. Battery life ranges from 10 to 150+ hours depending on light intensity. Now offered in satin white with Clear diffuser and anodized black with Smoked diffuser.

Designer:
Pablo Pardo + Pablo Studio 2020

Awards:
2020 Hospitality Design Product Award



CANDÉL

DESCRIPTION

Candél is a fully rechargeable portable LED light designed for both indoors and outdoors. Features a robust PMMA body in Clear and Bronze tint combined with a striking anodized aluminum light and battery module that features capacitive touch technology for adjusting light intensity. Battery life: 10-150+ hours depending on light intensity. Now offered in satin white with Clear diffuser and anodized black with smoked diffuser.

FIXTURE TYPE

Portable

LIGHT SOURCE

LED High-Output chip on board

LIGHT CONTROL

Capacitive touch switch
4-stage dimming (100/70/30/7%)

FEATURES

Portable and rechargeable
10-150+hr battery life
USB charging cable included

SPECIFICATIONS

Power Consumption: 1.5W
Color Temperature: 2500-1800K (Warm Dim)
Luminosity: 100 Lumens
Luminaire Efficacy: 48 Lumens/Watt
Color Rendition Index: 94 CRI
Cable length: 6' (183cm)
IP54 damp rated

CERTIFICATIONS



FINISHES

CANDÉL



CLEAR/SILVER



CLEAR/WHITE



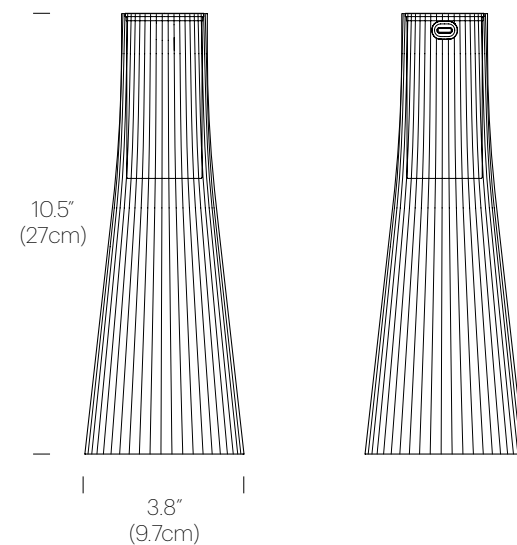
SMOKE/BLACK



BRONZE/BRASS

DIMENSIONS

CANDÉL



PACKAGING WEIGHT AND DIMENSIONS

Candél:	1.5LBS	4" X 11.8"
	.68KG	10cm X 30cm

NOTES

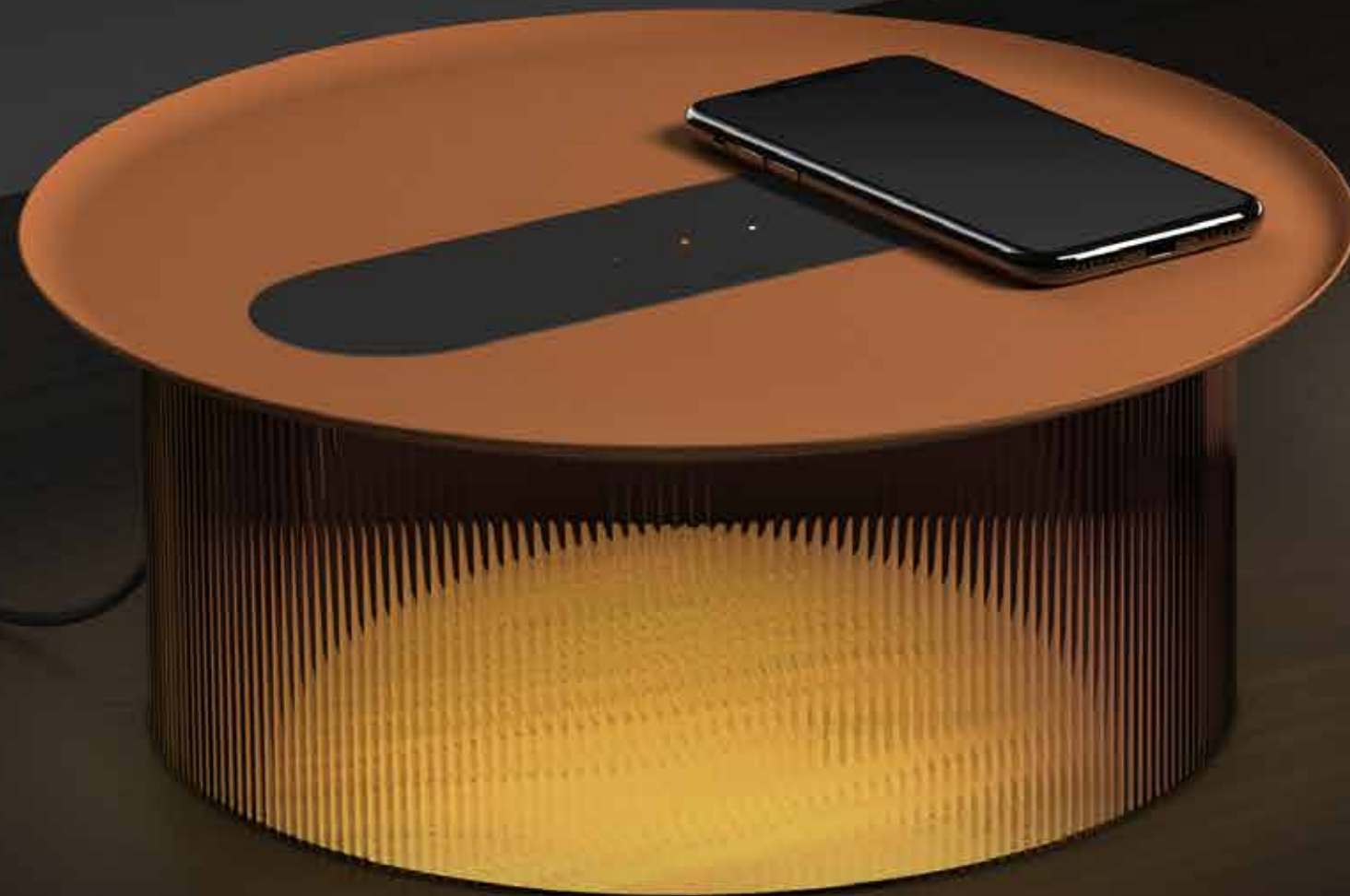
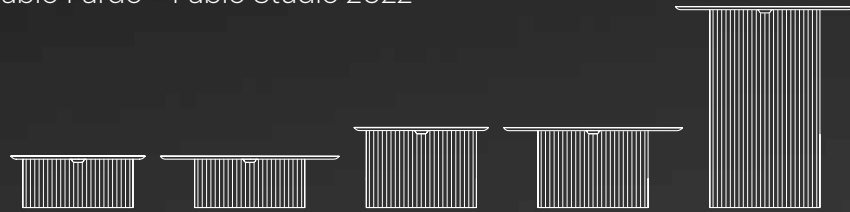
Clear/White and Smoke/black finishes will be available Q4 2022.



CAROUSEL

Carousel blurs the line between ambiance and utility combining a low setting wireless charging tray surface for your mobile devices with warm, glare-free illumination. It's low profile LED light module is discreetly concealed below its mating tray and suspended atop a transparent fluted acrylic cylinder diffuser that radiates mesmerizing light patterns onto the table surface below. Perfectly suited for desktop or bedside use, Carousel embodies a uniquely hybrid perspective on what a personal light can be. The base diffuser is offered in both clear and bronze tint and can be paired with a spun steel tray in matte white, terra cotta, and graphite finishes.

Designer:
Pablo Pardo + Pablo Studio 2022



CAROUSEL TABLE

DESCRIPTION

Carousel blurs the line between ambiance and utility combining a low setting wireless charging tray surface for your mobile devices with warm, glare-free illumination. It's low profile LED light module is discreetly concealed below its mating tray and suspended atop a transparent fluted acrylic cylinder diffuser that radiates mesmerizing light patterns onto the table surface below. Perfectly suited for desktop or bedside use, Carousel embodies a uniquely hybrid perspective on what a personal light can be. The base diffuser is offered in both clear and bronze tint and can be paired with a spun steel tray in White, Terracotta, and Black.

FIXTURE TYPE

Table

LIGHT SOURCE

Flat Panel LED

LIGHT CONTROL

Capacitive touch switch

FEATURES

Wireless charging w/ indicator light (2)
USB-C charging port

SPECIFICATIONS

Voltage: 120-240V 50/60Hz
Power Consumption: 7W
Color Temperature: 2700-2200K
Luminosity: 350 Lumens
Luminaire Efficacy: 50 Lumens/Watt
Color Rendition Index: 90 CRI
Cable length: 6' (183cm)

CERTIFICATIONS



FINISHES

DIFFUSER



CLEAR



BRONZE

TRAY



TERRACOTTA



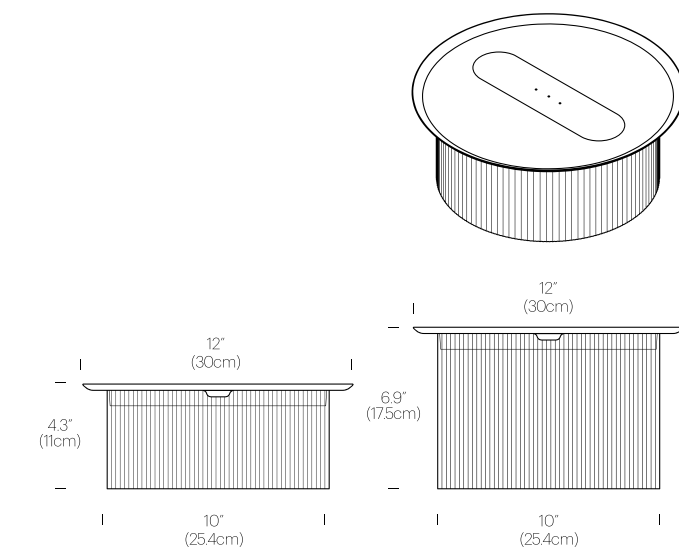
WHITE



BLACK

DIMENSIONS

CAROUSEL TABLE



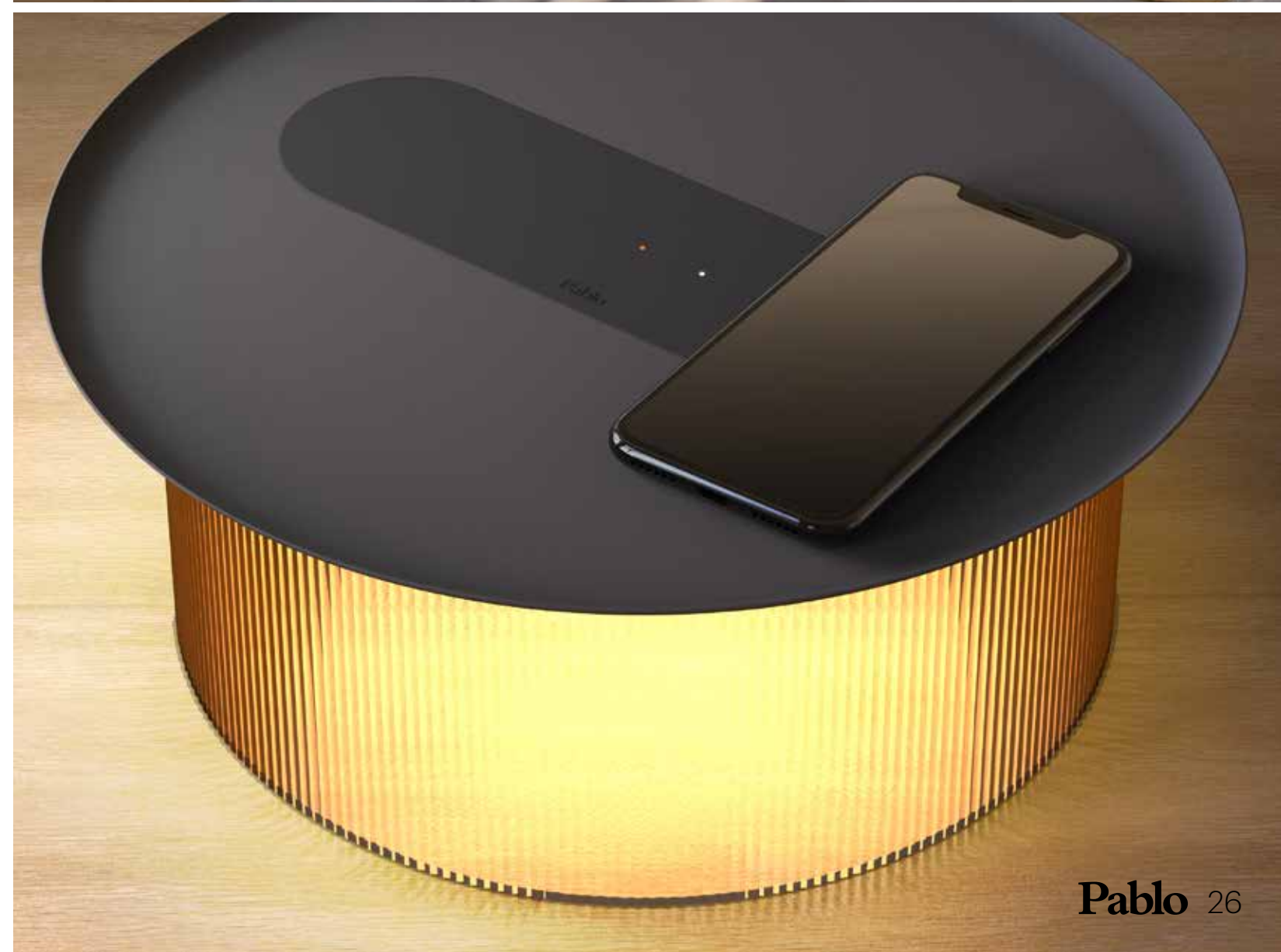
PACKAGING WEIGHT AND DIMENSIONS

Carousel Table SM:	4.5LBS	14" X 14" X 12"
	2KG	35cm X 35cm X 30cm
Carousel Table LRG:	5LBS	14" X 14" X 12"
	2.25KG	35cm X 35cm X 30cm

NOTES

Custom requests can be considered on volume orders

*Available Fall 2022





CAROUSEL FLOOR

DESCRIPTION

Carousel blurs the line between ambiance and utility combining a low setting wireless charging tray surface for your mobile devices with warm, glare-free illumination. It's low profile LED light module is discreetly concealed below its mating tray and suspended atop a transparent fluted acrylic cylinder diffuser that radiates mesmerizing light patterns onto the table surface below. Perfectly suited for desktop or bedside use, Carousel embodies a uniquely hybrid perspective on what a personal light can be. The base diffuser is offered in both clear and bronze tint and can be paired with a spun steel tray in White, Terracotta, and Black.

FIXTURE TYPE

Floor

LIGHT SOURCE

Flat Panel LED

LIGHT CONTROL

Capacitive touch switch

FEATURES

Wireless charging w/ indicator light (2)
USB-C charging port

SPECIFICATIONS

Voltage: 120-240V 50/60Hz
Power Consumption: 7W
Color Temperature: 2700-2200K
Luminosity: 350 Lumens
Luminaire Efficacy: 50 Lumens/Watt
Color Rendition Index: 90 CRI
Cable length: 6' (183cm)

CERTIFICATIONS



FINISHES

DIFFUSER



CLEAR



BRONZE

TRAY



TERRACOTTA



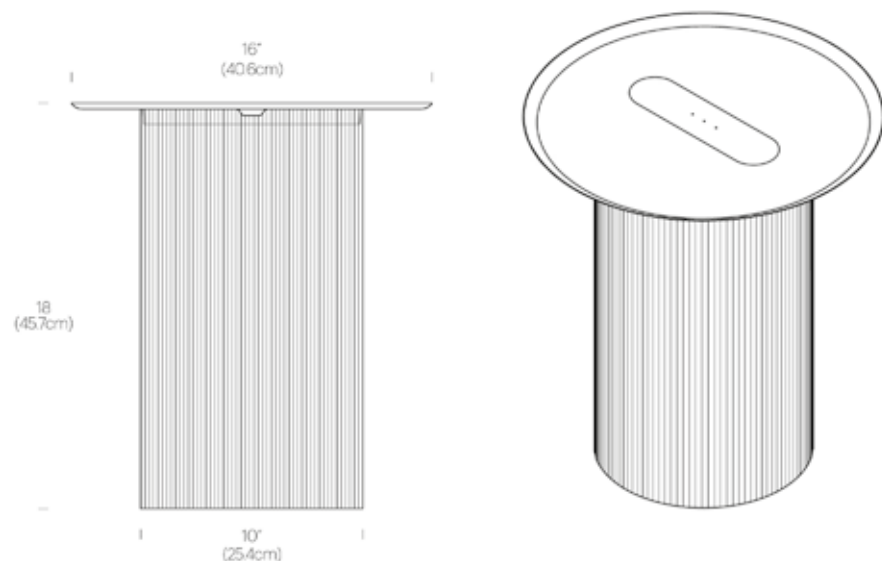
WHITE



BLACK

DIMENSIONS

CAROUSEL FLOOR



PACKAGING WEIGHT AND DIMENSIONS

Carousel Floor:	4.5LBS	17" X 17" X 20"
	2KG	43cm X 43cm X 50cm

NOTES

Custom requests can be considered on volume orders

***Available Fall 2022**





LUCI

Luci is a fully rechargeable portable luminaire that allows you to take your ambiance wherever you go indoors and out. Defined by its simplicity of form and high tactile feel, Luci features an all-machined aluminum body that's premium to the touch and brings elegance to any intimate moment or social gathering. Representing the future of illumination, Luci features state of the art Dim to Warm light technology with 3 preset light level plus full range dimming which are activated via optical switch atop the shade. Luci also boasts a best-in-class battery life to provide many hours of untethered illumination between charges. Available in both table and floor standing models, Luci is offered in three anodized machine trace finishes in Silver, Brass, Black and textured Matte White.

Designer:
Pablo Pardo + Pablo Studio 2021



LUCI TABLE

DESCRIPTION

Luci is a fully rechargeable portable luminaire that allows you to take your ambiance wherever you go indoors and out. Defined by its simplicity of form and high tactile feel, Luci features an all-machined aluminum body that's premium to the touch and brings elegance to any intimate moment or social gathering. Representing the future of illumination, Luci features state of the art Dim to Warm light technology with 3 preset light level plus full range dimming which are activated via optical switch atop the shade. Luci also boasts a best-in-class battery life to provide many hours of untethered illumination between charges. Luci Table is recharged via USB-C charging port located on the base. Available in both table and floor standing models, Luci is offered in three anodized machine trace finishes in Silver, Brass, Black and textured Matte White.

FIXTURE TYPE

Table

LIGHT SOURCE

Flat Panel LED

LIGHT CONTROL

Optical switch

Full range dimming (100-10%)

3-stage dimming (100/40/10%)

FEATURES

Portable and rechargeable

24-230 hr Battery life

SPECIFICATIONS

Power Consumption: 2.1W

Color Temperature: 2700K - 2200K (Warm dim)

Luminosity: 150 Lumens

Luminaire efficacy: 72 Lumens/Watt

Color Rendition Index: 90+ CRI

Cable Length: 6' (182cm)(included)

CERTIFICATIONS



FINISHES

LUCI TABLE



BLACK



WHITE



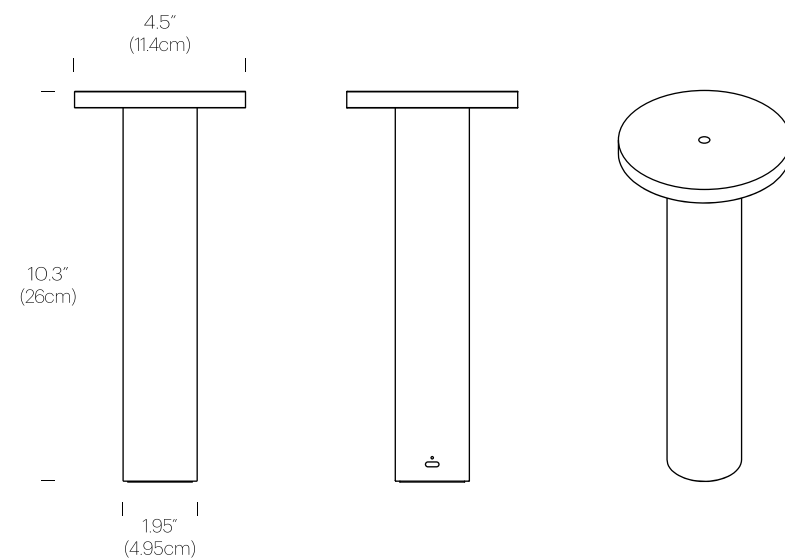
SILVER



BRASS

DIMENSIONS

LUCI TABLE



PACKAGING WEIGHT AND DIMENSIONS

Luci Table:	2.5LBS	5.5" X 5.5" X 11.5"
	1.1KG	14cm X 14cm X 30cm

NOTES

Custom requests can be considered on volume orders



LUCI FLOOR

DESCRIPTION

Luci is a fully rechargeable portable luminaire that allows you to take your ambiance wherever you go indoors and out. Defined by its simplicity of form and high tactile feel, Luci features an all-machined aluminum body that's premium to the touch and brings elegance to any intimate moment or social gathering. Representing the future of illumination, Luci features state of the art Dim to Warm light technology with 3 preset light level plus full range dimming which are activated via optical switch atop the shade. Luci also boasts a best-in-class battery life to provide many hours of untethered illumination between charges. Available in both table and floor standing models, Luci is offered in three anodized machine trace finishes in Silver, Brass, Black and textured Matte White.

FIXTURE TYPE

Floor

LIGHT SOURCE

Flat panel LED

LIGHT CONTROL

Optical switch

Full range dimming (100-10%)

3-stage dimming (100/40/10%)

FEATURES

Portable and rechargeable

11-110 hr Battery life

SPECIFICATIONS

Voltage: 120-240V 50/60Hz

Power Consumption: 5.3W

Color Temperature: 2700K-2200K (warm dim)

Luminosity: 350 Lumens

Luminaire efficacy: 66 Lumens/Watt

Color Rendition Index: 90+ CRI

Cable Length: 9'(2.7m)

IP54 Damp rating

CERTIFICATIONS



FINISHES

LUCI FLOOR



WHITE



BLACK



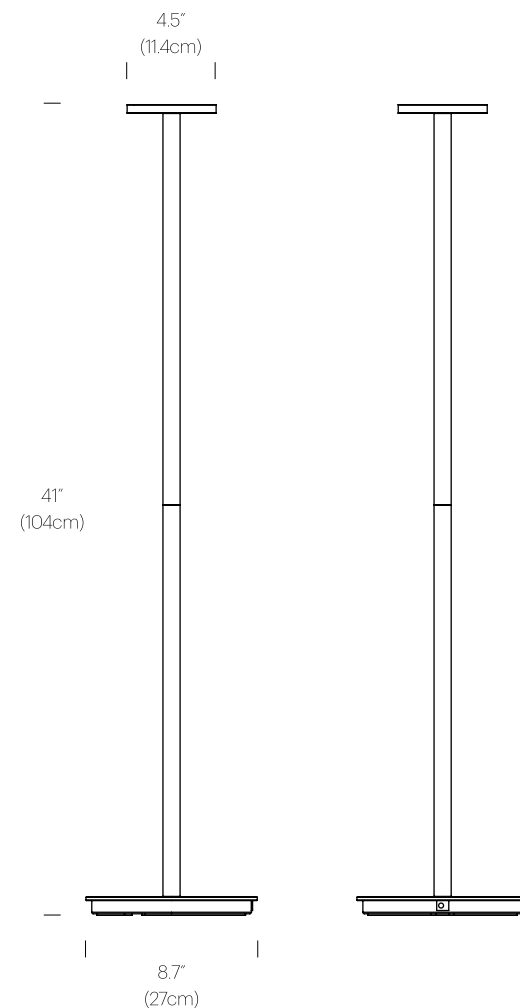
BRASS



SILVER

DIMENSIONS

LUCI FLOOR



PACKAGING WEIGHT AND DIMENSIONS

Luci Floor:	9LBS	11" X 23" X 3"
	4KG	28cm X 58cm X 7.6cm

NOTES

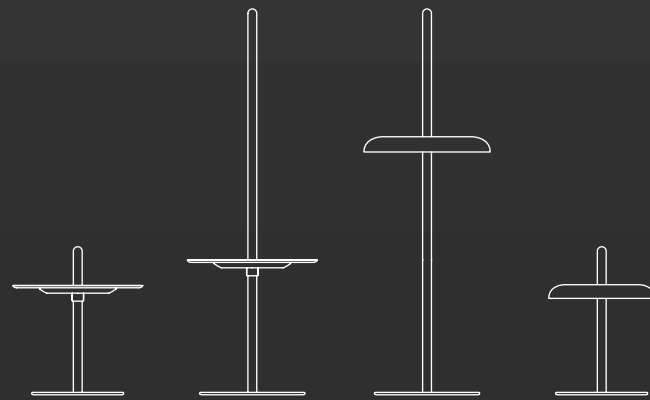
Custom requests can be considered on volume orders



NIVÉL

At the intersection of truly functional lighting and furniture, Nivel brings warm and dynamic illumination to any residential, hospitality or work space. The Nivel portable collection consists of rechargeable, battery powered table and floorstanding lights that allow for freedom of movement to bring light to areas not serviced by power outlets. Perfect for indoor and outdoor entertaining, Nivel instantly becomes the focal point of any social gathering and can be easily toted by its solid wood post handle. Its cleverly designed shade/light engine assembly can be easily raised and lowered to any desired height around its crafted wooden post to provide maximum light control depending on user preference. Nivel portables are available in both pedestal floor and shaded table and floor models with 6 painted colorways in matted white, Terracotta, Forest Green, Slate Blue, Espresso and textured black and can be paired with either a white oak or walnut post. LED light engine features glare free flat panel light technology with best in class battery life of between 9-65 hours depending on light level.

Designer:
Pablo Pardo + Pablo Studio 2021



NIVÉL PEDESTAL

DESCRIPTION

At the intersection of functional lighting and furniture, you find Nivel. As an adjustable height side table, Nivel provides a totem to gather around. Portable and rechargeable, Nivel enables users to bring light to areas not serviced by power outlets. Sturdy enough to rest a few beverages atop while nimble enough to be raised or lowered at a moment's notice. Its cleverly designed light module rests securely fastened around a solid wood post fastened to a powder-coated steel base for added footing. A soft ambient downward facing light panel completes the package, bringing an unobtrusive light source to your home or office space. The post is offered in both solid oak and walnut and can be paired with a powder-coated tray in White, Terracotta, and Black.

FIXTURE TYPE

Portable-rechargeable

LIGHT SOURCE

Flat Panel LED

LIGHT CONTROL

Capacitive touch switch
Full range dimming (100-10%)
3-stage dimming (100/40/10%)

FEATURES

Portable and rechargeable
Adjustable height tray surface
USB-C charging port

SPECIFICATIONS

Voltage: 120-240V 50/60Hz
Power Consumption: 7W
Color Temperature: 2700-2200K (warm dim)
Luminosity: 350 Lumens
Luminaire Efficacy: 50 Lumens/Watt
Color Rendition Index: 95 CRI
Cord length 9' (2.7m)
IP 54 Damp rating

CERTIFICATIONS



PACKAGING WEIGHT AND DIMENSIONS

Nivel Pedestal	4.5LBS	17" X 17" X 4"
(Lamp, base and tray)	2KG	43cm X 43cm X 10cm
Nivel Pedestal	1.5LBS	2" X 2" X 50"
(Post)	.7KG	5cm X 5cm X 127cm

NOTES

Custom requests can be considered on volume orders

***Available Spring 2023**



FINISHES

POST



OAK



WALNUT

TRAY



WHITE



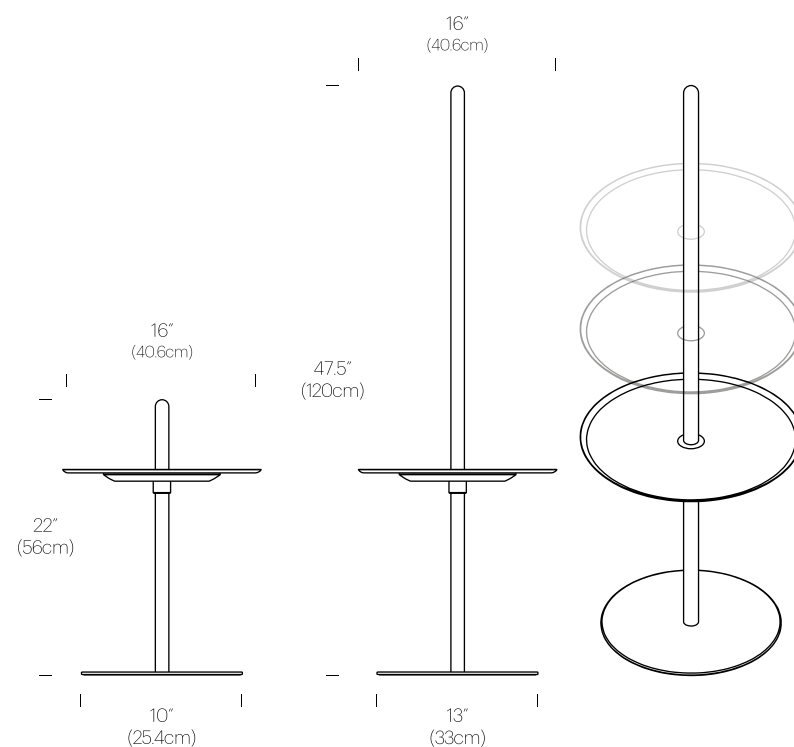
TERRACOTTA



BLACK

DIMENSIONS

NIVÉL PEDESTAL



NIVÉL FLOOR

DESCRIPTION

At the intersection of functional lighting and furniture, you find Nivel. Nivel Floor is an adjustable height portable floor lamp. Perfect for indoor or outdoor use, Nivel provides a totem to gather around. Portable and rechargeable, Nivel enables users to bring light to areas not serviced by power outlets. Its cleverly designed light module rests securely fastened around a solid wood post fastened to a powdercoated steel base for added footing. A soft ambient downward facing light panel completes the package, bringing an unobtrusive light source to your home or office space. The post is offered in both solid oak and walnut and can be paired with a powder-coated shade in White, Terracotta, Forrest Green, Slate Blue, Espresso and textured black.

FIXTURE TYPE

Portable-rechargeable

LIGHT SOURCE

Flat Panel LED

LIGHT CONTROL

Capacitive touch switch
Full range dimming (100-10%)
3-stage dimming (100/40/10%)

FEATURES

Portable and rechargeable
Adjustable height tray surface
USB-C charging port

SPECIFICATIONS

Voltage: 120-240V 50/60Hz
Power Consumption: 7W
Color Temperature: 2700-2200K (warm dim)
Luminosity: 350 Lumens
Luminaire Efficacy: 50 Lumens/Watt
Color Rendition Index: 95 CRI
Cord length 9' (2.7m)
IP 54 Damp rating

CERTIFICATIONS



PACKAGING WEIGHT AND DIMENSIONS

Nivel Floor	4.5LBS	17" X 17" X 4"
(Lamp, base and tray)	2KG	43cm X 43cm X 10cm
Nivel Floor	1.5LBS	2" X 2" X 50"
(Post)	.7KG	5cm X 5cm X 127cm

NOTES

Custom requests can be considered on volume orders

***Available Spring 2023**



FINISHES

WOOD



OAK



WALNUT

SHADE



BLACK



WHITE



TERRACOTTA



FOREST



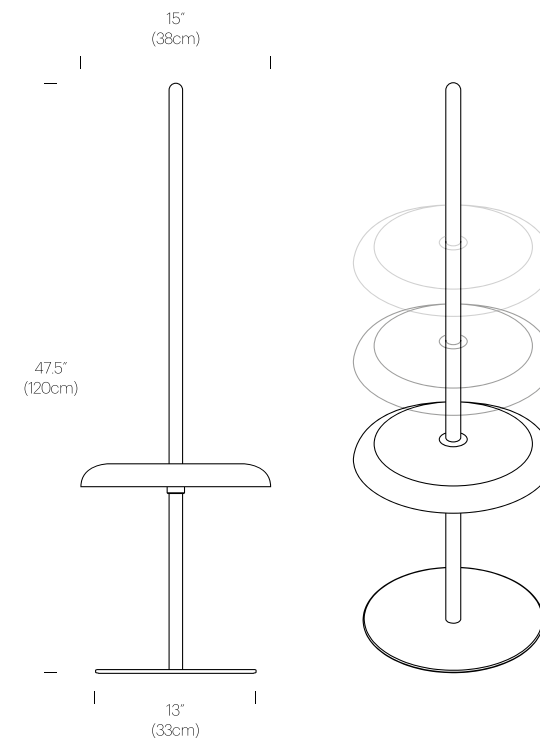
SLATE BLUE



ESPRESSO

DIMENSIONS

NIVÉL FLOOR





NIVÉL TABLE

DESCRIPTION

At the intersection of functional lighting and furniture, you find Nivel. Nivel Table is an adjustable height portable light companion. Perfect for indoor or outdoor use, Nivel provides a totem to gather around. Portable and rechargeable, Nivel enables users to bring light to areas not serviced by power outlets. Its cleverly designed light module rests securely fastened around a solid wood post. A soft ambient downward facing light panel completes the package, bringing an unobtrusive light source to your home or office space. The post is offered in both solid oak and walnut and can be paired with a powder-coated shade in white, Terracotta, Forest Green, Slate Blue, Espresso and textured black.

FIXTURE TYPE

Portable-rechargeable

LIGHT SOURCE

High output LED array

LIGHT CONTROL

Capacitive touch switch
Full range dimming (100-10%)
3-stage dimming (100/40/10%)

FEATURES

Portable and rechargeable
Adjustable height tray surface
USB-C charging port

SPECIFICATIONS

Voltage: 120-240V 50/60Hz
Power Consumption: 7W
Color Temperature: 2700-2200K (warm dim)
Luminosity: 350 Lumens
Luminaire Efficacy: 50 Lumens/Watt
Color Rendition Index: 95 CRI
Cord length 9' (2.7m)
IP 54 Damp rating

CERTIFICATIONS



PACKAGING WEIGHT AND DIMENSIONS

Nivel	4.5LBS	14" X 14" X 4"
(Lamp, base and tray)	2KG	35cm X 35cm X 10cm
Nivel	1.5LBS	2" X 2" X 50"
(Post)	.7KG	5cm X 5cm X 127cm

NOTES

Custom requests can be considered on volume orders

***Available Spring 2023**



FINISHES

WOOD



OAK



WALNUT

SHADE



BLACK



WHITE



TERRACOTTA



FOREST



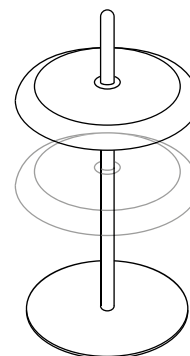
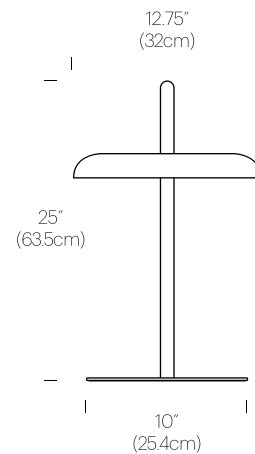
SLATE BLUE



ESPRESSO

DIMENSIONS

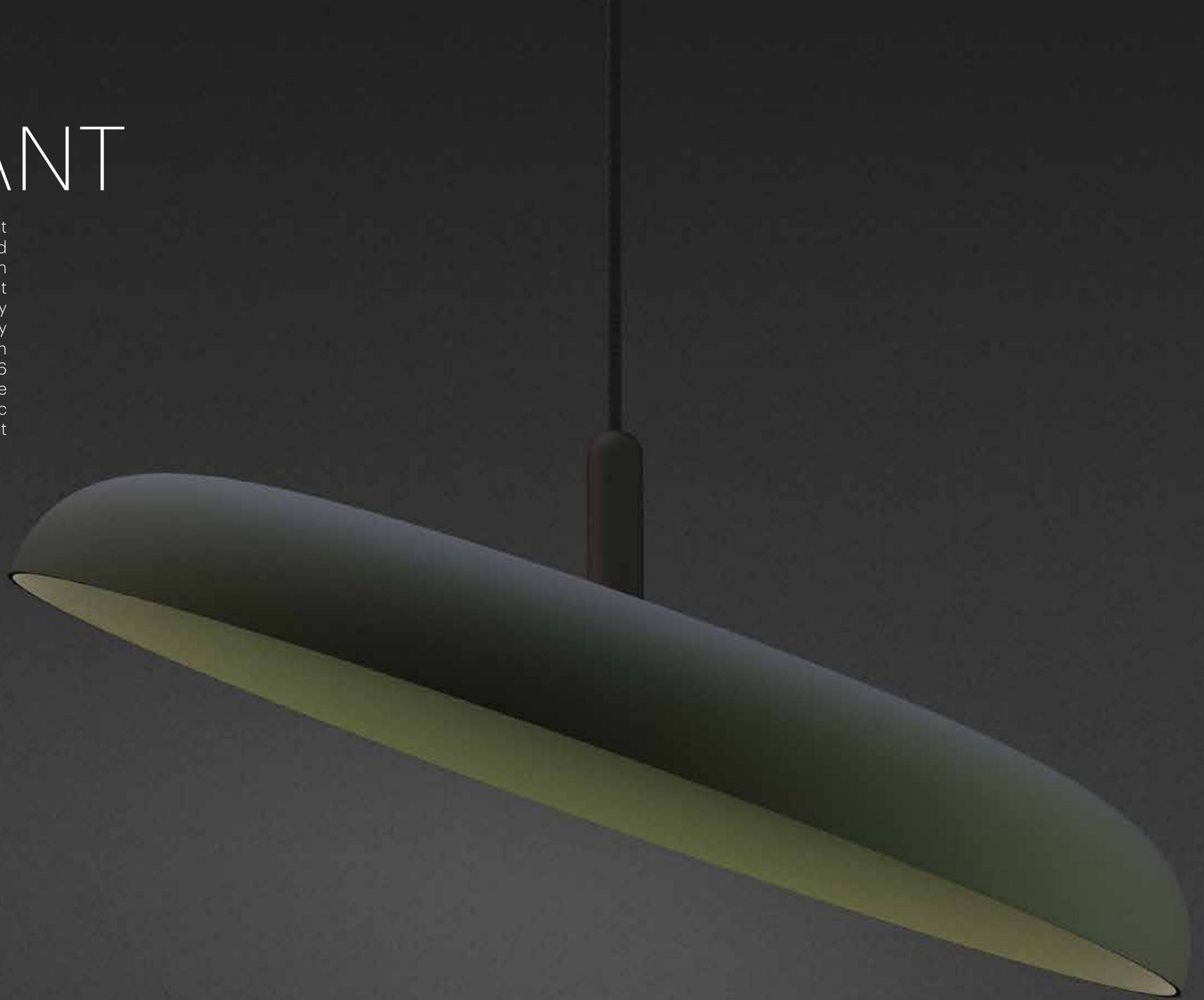
NIVÉL TABLE



NIVÉL PENDANT

Redefining the future in pendant illumination, Nivel's pure and elegant silhouette features a colorful pallet of spun shade forms combined with an articulating flat panel LED light engine that pivots gracefully on axis to focus light downward or as a wall wash to provide seamless light control for any space. Nivel pendant can be suspended individually or in large multi-light clusters powered by a single hardwired canopy allowing the user to reposition the lights to any desired height, span and directionality. Available in 2 sizes: 15" (38cm) and 22" (56cm) and 6 powder coated finishes in matte white, Terracotta, Forest Green, Slate Blue, Espresso and textured black with choice of black or white fabric cord and ceiling canopy. Nivel will also be available in flush-mount variations for both sizes.

Designer:
Pablo Pardo + Pablo Studio 2022



NIVÉL PENDANT

DESCRIPTION

Redefining the future in pendant illumination, Nivel's pure and elegant silhouette features a colorful pallet of spun shade forms combined with an articulating flat panel LED light engine that pivots gracefully on axis to focus light downward or as a wall wash to provide seamless light control for any space. Nivel pendant can be suspended individually or in large multi-light clusters powered by a single hardwired canopy allowing the user to reposition the lights to any desired height, span and directionality. Available in 2 sizes: 15" (38cm) and 22" (56cm) and 6 powder coated finishes in matte white, Terracotta, Forest Green, Slate Blue, Espresso and textured black with choice of black or white fabric cord and ceiling canopy.

FIXTURE TYPE

Pendant

LIGHT SOURCE

LED Flat-Panel

LIGHT CONTROL

Hard wired (Triac transformer) full range dim
ELV dimmer recommended

FEATURES

45° shade tilt in two directions

SPECIFICATIONS

Voltage: 120-240V 50/60Hz
Power Consumption: 10.5W
Color Temperature: 2700K
Luminosity: 800Lumens
Luminaire Efficacy: 76 Lumens/Watt
Color Rendition Index: 90 CRI
Title 20 compliant
50K hour lifespan
Cord length 10' (305cm)

CERTIFICATIONS



PACKAGING WEIGHT AND DIMENSIONS

	Weight	Dimensions
Nivel Pendant 15	7LBS 3KG	17" X 17" X 5" 43cm X 43cm X 12cm
Nivel Pendant 22	11LBS 5KG	24" X 24" X 6" 60cm X 60cm X 15cm

NOTES

Custom requests can be considered on volume orders



FINISHES

CORD



BLACK



WHITE

SHADE



BLACK



WHITE



TERRACOTTA



FOREST



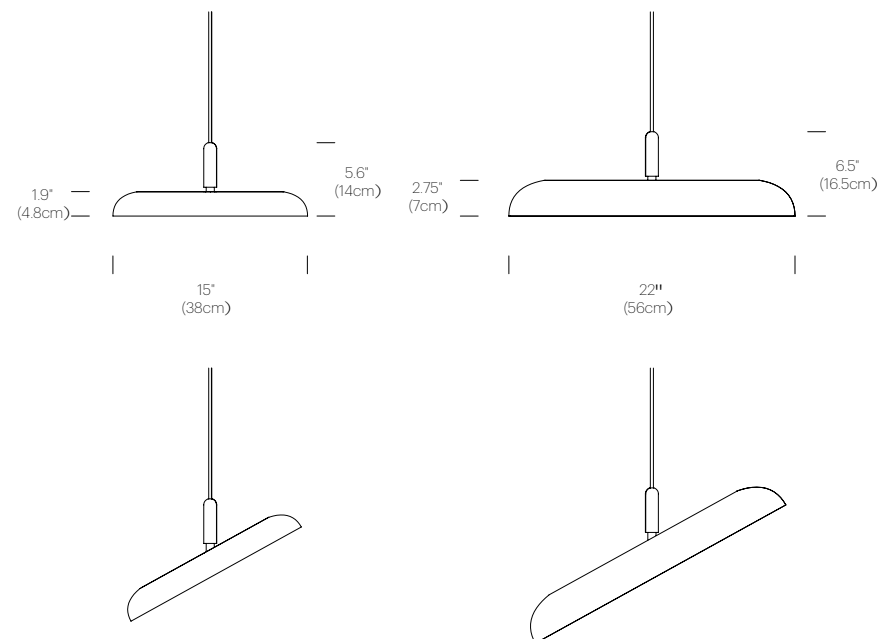
SLATE



ESPRESSO

DIMENSIONS

NIVÉL PENDANT





NIVÉL FLUSH

DESCRIPTION

Nivel's pure and elegant silhouette features a colorful pallet of spun shade forms combined with a flat panel LED light engine. Nivel flush can be mounted in both ceiling and wall situations. Available in 2 sizes: 15" (38cm) and 22" (56cm) and 6 powder coated finishes in matte white, Terracotta, Forest Green, Slate Blue, Espresso and textured black paired with a white canopy assembly.

FIXTURE TYPE

Wall/Ceiling

LIGHT SOURCE

LED Flat-Panel

LIGHT CONTROL

Hard wired (Triac transformer) full range dim
ELV dimmer recommended

FEATURES

Full-range dim

SPECIFICATIONS

Voltage: 120-240V 50/60Hz
Power Consumption: 10.5W
Color Temperature: 2700K
Luminosity: 800 Lumens
Luminaire Efficacy: 76 Lumens/Watt
Color Rendition Index: 90 CRI
Title 20 compliant
50K hour lifespan

CERTIFICATIONS



FINISHES

SHADE



BLACK



WHITE



TERRACOTTA



FORREST



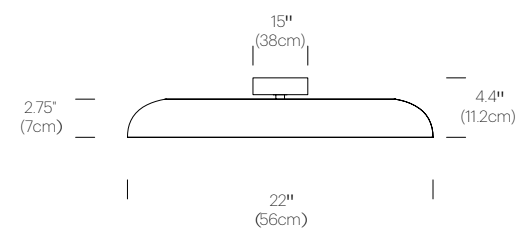
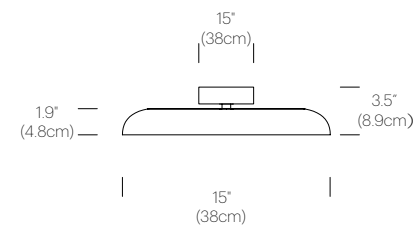
SLATE BLUE



ESPRESSO

DIMENSIONS

NIVÉL PENDANT



PACKAGING WEIGHT AND DIMENSIONS

Nivel Flush 15	7LBS	17" X 17" X 5"
	3KG	43cm X 43cm X 12cm
Nivel Flush 22	11LBS	24" X 24" X 6"
	5KG	60cm X 60cm X 15cm

NOTES

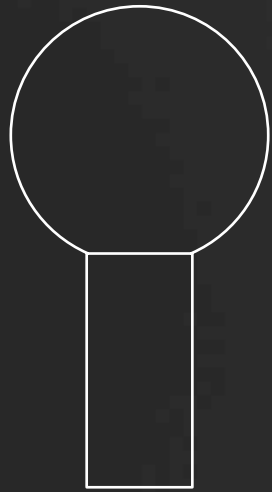
Custom requests can be considered on volume orders



PILAR

Playful and sculptural in design, Pilar is a study in geometric proportions that meticulously bring out the character of its materials to create pure warm, ambient illumination for any range of spaces. Pilar embodies a harmonious dialogue between solidity and lightness featuring a monolithic column in marble with a hovering glass globe that define its iconic silhouette. Pilar is offered in both Carrara white and Marquina black marble bases with a mating 12" (30.5cm) frosted Opal glass globe and features an inline full-range dimmer to select any desired light setting and ambiance.

Designer:
Pablo Pardo + Pablo Studio 2022



PILAR

DESCRIPTION

Playful and sculptural in design, Pilar is a study in geometric proportions that meticulously bring out the character of its materials to create pure warm, ambient illumination for any range of spaces. Pilar embodies a harmonious dialogue between solidity and lightness featuring a monolithic column in marble with a hovering glass globe that define its iconic silhouette. Pilar is offered in both Carrara white and Marquina black marble bases with a mating 12"(30.5cm) frosted Opal glass globe and features an inline full-range dimmer to select any desired light setting and ambiance.

FIXTURE TYPE

Table

LIGHT SOURCE

2700K BT-15 Halogen, 72W, 1090Lu
Or (1) 2700K BT-15 LED Bulb, 8W, 800Lu available by request

LIGHT CONTROL

In-line dimmer

FEATURES

Fully dimmable

SPECIFICATIONS

Voltage: 120-240V 50/60Hz
Power Consumption: 72W
Bulb: BT-15 Halogen
Color Temperature: 2700K
Luminosity: 1490 Lumens
Luminaire Efficacy: 20 Lumens/Watt
Color Rendition Index: 100 CRI
Cord length 9' (2.7m)

CERTIFICATIONS



FINISHES

MARBLE BASE



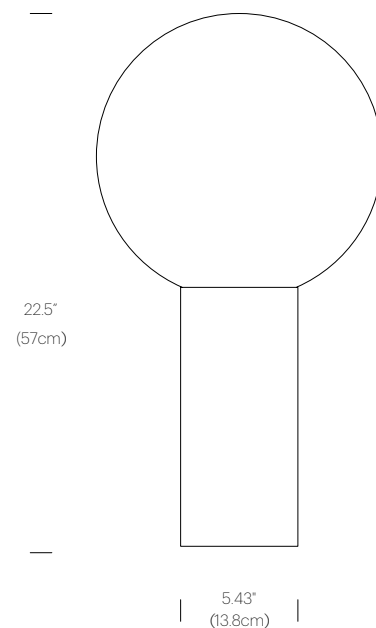
CARRARA
WHITE



MARQUINA
BLACK

DIMENSIONS

PILAR



PACKAGING WEIGHT AND DIMENSIONS

Pilar	13LBS	8.25" X 8.25" X 17.5"
(Lamp base)	6KG	21cm X 21cm X 44cm
Pilar	7.2LBS	18" X 18" X 18"
(Globe)	3.3KG	46cm X 46cm X 46cm

NOTES

Custom requests can be considered on volume orders



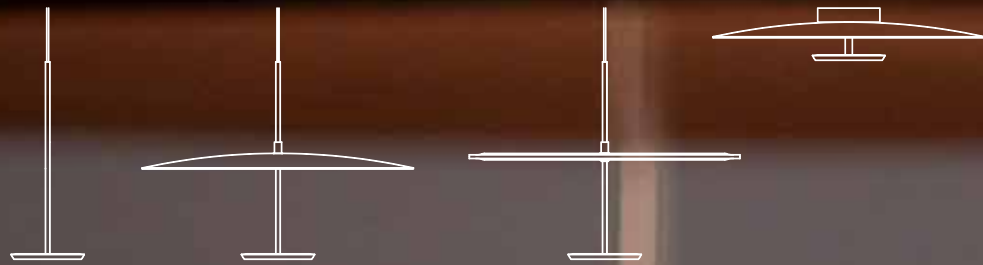


SKY

The Sky Collection was inspired as a modular pendant lighting system and Sky Solo is the core foundational element. Its minimal all-aluminum design highlights a powerful two-sided flat panel light source with Dim to Warm LED technology that can deliver up to 1250 lumens of warm ambient light in all directions. Sky Solo can be suspended individually, in series, or as striking chandelier groupings for residential, contract, and hospitality settings alike. Solo's light element can also be combined with a wide range of premium shade reflectors in metal, wood, and acoustic felt to provide an extraordinary breadth of performance and decorative solutions for residential, office, and hospitality settings alike.

Designer:
Pablo Pardo + Pablo Studio 2020

Awards:
2020 IDA Award
2020 NYCxDESIGN Award



SKY SOLO

DESCRIPTION

The Sky Collection was inspired as a modular pendant lighting system and Sky Solo is its core foundational element. Its minimal all-aluminum design highlights a powerful two-sided flat panel light source with Dim to Warm LED technology that can deliver up to 1250 lumens of warm ambient light in all directions. Sky Solo can be suspended individually, in series, or as striking chandelier groupings for residential, contract, and hospitality settings alike. Solo's light element can also be combined with a wide range of premium shade reflectors in metal, wood and acoustic felt to provide an extraordinary breadth of performance and decorative solutions.

FIXTURE TYPE

Pendant

LIGHT SOURCE

LED Flat-Panel

LIGHT CONTROL

Hard-wired
Fully dimmable

FEATURES

Dim-to-Warm (DTW) Light Source
Uplight/Downlight
Energy-efficient, flat panel technology
Glare-free illumination

SPECIFICATIONS

Voltage: 120 or 240V 50/60Hz
(100-277V 50/60Hz Available upon request)
Power Consumption: 18W MAX
Color Temperature: 2700-2200K (warm dim) or 3000K CCT, Note: 2700K CCT and 3500K CCT models Available Upon Request on volume orders
Luminosity: 1250 Lumens (850 down/400 up)
Luminaire efficacy: 58 Lumens/Watt
Color Rendition Index: 90 CRI
50K hour lifespan
Cable Length: 10' (3m) (Field cuttable)
ELV Dimmer recommended

CERTIFICATIONS



PACKAGING WEIGHT AND DIMENSIONS

Sky Solo	3.1LBS	10.2" X 19" X 2.4"
	1.4KG	26cm X 48cm X 6cm

NOTES

Custom requests can be considered on volume orders



FINISHES



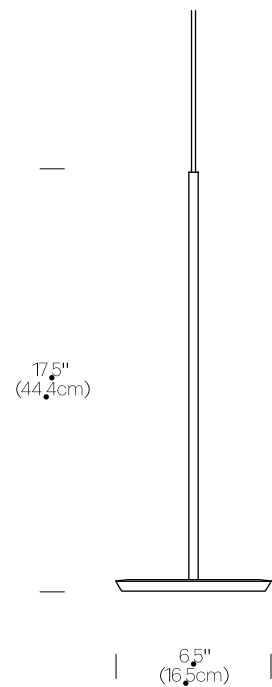
POLISHED ALUMINUM



MATTE BLACK

DIMENSIONS

SKY SOLO



SKY DOME METAL

DESCRIPTION

The Sky Collection is a modular pendant lighting system featuring multiple shade reflector solutions for various decorative and performance benefits. Sky Dome is available in both spun aluminum and pressed wood shade reflectors that when combined with their powerful 2-sided LED light source gives the lamp a weightless appearance while providing unparalleled illumination in all directions. Sky Dome combined form and function with unsurpassed quality and is available in 3 sizes : 18" (45.8cm)/24" (61cm)/32" (81cm).

FIXTURE TYPE

Pendant

LIGHT SOURCE

LED Flat-Panel downlight/High-output LED array uplight

MODELS

Sky Dome 18 Metal
Sky Dome 24 Metal
Sky Dome 32 Metal

LIGHT CONTROL

Hard-wired
Fully dimmable

FEATURES

Dim-to-Warm (DTW) Light Source
Uplight/Downlight
Energy-efficient, flat panel technology
Glare-free illumination

SPECIFICATIONS

Voltage: 120 or 240V 50/60Hz
(100-277V 50/60Hz Available upon request)
Power Consumption: 18W MAX
Color Temperature: 2700-2200K (warm dim) or 3000K CCT, *Note: 2700K CCT and 3500K CCT models Available Upon Request on volume orders*
Luminosity: 1250 Lumens (850 down/400 up)
Luminaire efficacy: 58 Lumens/Watt
Color Rendition Index: 90 CRI
50K hour lifespan
Cable Length: 10' (3m) (Field cuttable)
ELV Dimmer recommended

CERTIFICATIONS



PACKAGING WEIGHT AND DIMENSIONS

Sky Solo	3.1LBS	10.2" X 19" X 2.4"
(Lamp)	1.4KG	26cm X 48cm X 6cm
Sky Dome Metal 18	3.1LBS	21.3" X 20.4" X 2.9"
(Shade)	1.4KG	54cm X 52cm X 7.3cm
Sky Dome Metal 24	5.1LBS	27.1" X 26.4" X 3.25"
(Shade)	2.3KG	69cm X 67cm X 8.2cm
Sky Dome Metal 32	9.5LBS	35" X 34.8" X 3.9"
(Shade)	4.3KG	89cm X 88cm X 10cm

NOTES

Custom requests can be considered on volume orders



FINISHES

LAMP



POLISHED ALUMINUM



MATTE BLACK

SHADE



BLACK



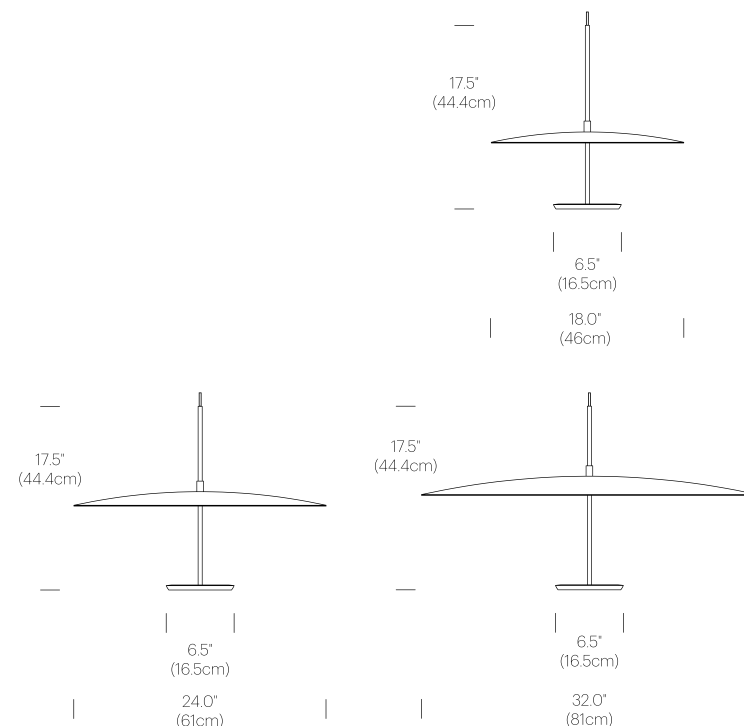
WHITE



SATIN BRASS

DIMENSIONS

SKY DOME METAL 18, 24, 32



SKY DOME WOOD

DESCRIPTION

The Sky Collection is a modular pendant lighting system featuring multiple shade reflector solutions for various decorative and performance benefits. Sky Dome is available in both spun aluminum and pressed wood shade reflectors that when combined with their powerful 2-sided LED light source gives the lamp a weightless appearance while providing unparalleled illumination in all directions. Sky Dome combined form and function with unsurpassed quality and is available in 2 sizes : 18" (45.8cm) and 24" (61cm).

FIXTURE TYPE

Pendant

LIGHT SOURCE

LED Flat-Panel downlight/High-output LED array uplight

MODELS

Sky Dome 18 Wood
Sky Dome 24 Wood

LIGHT CONTROL

Hard-wired
Fully dimmable

FEATURES

Dim-to-Warm (DTW) Light Source
Uplight/Downlight
Energy-efficient, flat panel technology
Glare-free illumination

SPECIFICATIONS

Voltage: 120 or 240V 50/60Hz
(100-277V 50/60Hz Available upon request)
Power Consumption: 18W MAX
Color Temperature: 2700-2200K (warm dim) or 3000K CCT, Note: 2700K CCT and 3500K CCT models Available Upon Request on volume orders
Luminosity: 1250 Lumens (850 down/400 up)
Luminaire efficacy: 58 Lumens/Watt
Color Rendition Index: 90 CRI
50K hour lifespan
Cable Length: 10' (3m) (Field cuttable)
ELV Dimmer recommended

CERTIFICATIONS



PACKAGING WEIGHT AND DIMENSIONS

Sky Solo	3.1LBS	10.2" X 19" X 2.4"
(Lamp)	1.4KG	26cm X 48cm X 6cm
Sky Dome Wood 18	3.3LBS	21.3" X 20.4" X 2.9"
(Shade)	1.4KG	54cm X 52cm X 7.3cm
Sky Dome Wood 24	5.5LBS	27.1" X 26.4" X 3.25"
(Shade)	2.5KG	69cm X 67cm X 8.2cm

NOTES

Custom requests can be considered on volume orders



FINISHES

LAMP



POLISHED ALUMINUM



MATTE BLACK

DOME



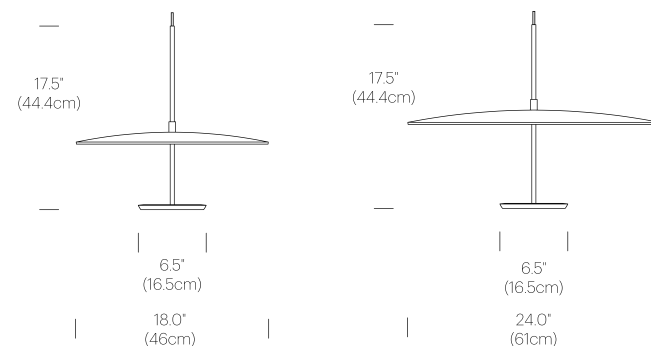
WALNUT



WHITE OAK

DIMENSIONS

SKY DOME WOOD 18, 24



SKY SOUND

DESCRIPTION

The Sky Collection is a modular pendant lighting system featuring multiple shade reflector solutions for various decorative and performance benefits. Sky Sound combines Acoustic performance with powerful omnidirectional illumination to provide a one of a kind pendant solution that minimizes ambient noise and contributes to a positive workspace. Its elegant PET felted disc shade is suspended by a polished aluminum mast and is available in 18" (45.8cm)/24" (61cm)/32" (81cm) sizes with rich and vibrant colorways to create a harmonious environment of light and quiet to enhance our wellbeing.

FIXTURE TYPE

Pendant

LIGHT SOURCE

LED Flat-Panel downlight/High-output LED array uplight

MODELS

Sky Sound 18
Sky Sound 24
Sky Sound 32

LIGHT CONTROL

Hard-wired
Fully dimmable

FEATURES

Dim-to-Warm (DTW) Light Source
Uplight/Downlight
Energy-efficient, flat panel technology
Glare-free illumination

SPECIFICATIONS

Voltage: 120 or 240V 50/60Hz
(100-277V 50/60Hz Available upon request)
Power Consumption: 18W MAX
Color Temperature: 2700-2200K (warm dim) or 3000K CCT, Note: 2700K CCT and 3500K CCT models Available Upon Request on volume orders
Luminosity: 1250 Lumens (850 down/400 up)
Luminaire efficacy: 58 Lumens/Watt
Color Rendition Index: 90 CRI
50K hour lifespan
Cable Length: 10' (3m) (Field cuttable)
ELV Dimmer recommended

CERTIFICATIONS



PACKAGING WEIGHT AND DIMENSIONS

Sky Solo	3.1LBS	10.2" X 19" X 2.4"
(Lamp)	1.4KG	26cm X 48cm X 6cm
Sky Sound 18	2.5LBS	21.3" X 20.4" X 2.9"
(Shade)	1.9KG	54cm X 52cm X 7.3cm
Sky Sound 24	4.1LBS	27.1" X 26.4" X 3.25"
(Shade)	2.4KG	69cm X 67cm X 8.2cm
Sky Sound 32	7.2LBS	35" X 34.8" X 3.9"
(Shade)	3.3KG	89cm X 88cm X 9.8cm

NOTES

Custom requests can be considered on volume orders



FINISHES

LAMP



POLISHED ALUMINUM



MATTE BLACK

SHADE



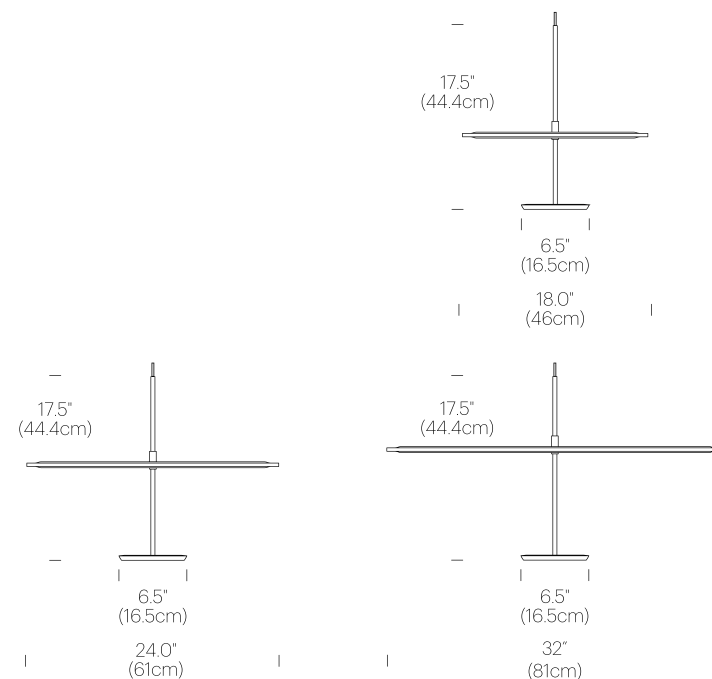
ANTHRACITE



STONE

DIMENSIONS

SKY SOUND 18, 24, 32



SKY DOME FLUSH WOOD

DESCRIPTION

The Sky Collection is a modular pendant lighting system featuring multiple shade reflector solutions for various decorative and performance benefits. Sky Dome Flush is available in both spun aluminum and pressed wood shade reflectors that when combined with their powerful 2-sided LED light source gives the lamp a weightless appearance while providing unparalleled illumination in all directions. Sky Dome combined form and function with unsurpassed quality and is available in 2 sizes : 18" (45.8cm) and 24" (61cm).

FIXTURE TYPE

Wall/Ceiling

LIGHT SOURCE

LED Flat-Panel downlight/High-output LED array uplight

MODELS

Sky Dome Flush 18 Wood
Sky Dome Flush 24 Wood

LIGHT CONTROL

Hard-wired
Fully dimmable

FEATURES

Dim-to-Warm (DTW) Light Source
Bi-directional Light Source
Energy-efficient, flat panel technology
Glare-free illumination

SPECIFICATIONS

Voltage: 120 or 240V 50/60Hz
(100-277V 50/60Hz Available upon request)
Power Consumption: 18W MAX
Color Temperature: 2700-2200K (warm dim) or 3000K CCT, Note: 2700K CCT and 3500K CCT models Available Upon Request on volume orders
Luminosity: 1250 Lumens (850 down/400 up)
Luminaire efficacy: 58 Lumens/Watt
Color Rendition Index: 90 CRI
50K hour lifespan
ELV Dimmer recommended

CERTIFICATIONS



PACKAGING WEIGHT AND DIMENSIONS

Sky Solo (Lamp)	3.1LBS 1.4KG	10.2" X 19" X 2.4" 26cm X 48cm X 6cm
Sky Dome Wood 18 (Shade)	3.3LBS 1.4KG	21.3" X 20.4" X 2.9" 54cm X 52cm X 7.3cm
Sky Dome Wood 24 (Shade)	5.5LBS 2.5KG	27.1" X 26.4" X 3.25" 69cm X 67cm X 8.2cm

NOTES

Custom requests can be considered on volume orders



FINISHES

LAMP



POLISHED ALUMINUM



MATTE BLACK

DOME



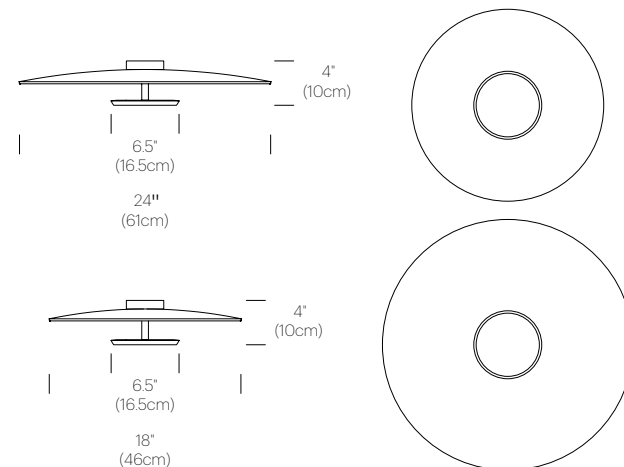
WALNUT



WHITE OAK

DIMENSIONS

SKY DOME WOOD 18, 24



SKY DOME FLUSH METAL

DESCRIPTION

The Sky Collection is a modular pendant lighting system featuring multiple shade reflector solutions for various decorative and performance benefits. Sky Dome Flush is available in both spun aluminum and pressed wood shade reflectors that when combined with their powerful 2-sided LED light source gives the lamp a weightless appearance while providing unparalleled illumination in all directions. Sky Dome combined form and function with unsurpassed quality and is available in 2 sizes : 18" (45.8cm) and 24" (61cm).

FIXTURE TYPE

Wall/Ceiling

LIGHT SOURCE

LED Flat-Panel downlight/High-output LED array uplight

MODELS

Sky Dome Flush 18 Metal
 Sky Dome Flush 24 Metal
 Sky Dome Flush 32 Metal

LIGHT CONTROL

Hard-wired
 Fully dimmable

FEATURES

Dim-to-Warm (DTW) Light Source
 Uplight/Downlight
 Energy-efficient, flat panel technology
 Glare-free illumination

SPECIFICATIONS

Voltage: 120 or 240V 50/60Hz
 (100-277V 50/60Hz Available upon request)
 Power Consumption: 18W MAX
 Color Temperature: 2700-2200K (warm dim) or 3000K CCT, Note: 2700K CCT and 3500K CCT models Available Upon Request on volume orders
 Luminosity: 1250 Lumens (850 down/400 up)
 Luminaire efficacy: 58 Lumens/Watt
 Color Rendition Index: 90 CRI
 50K hour lifespan
 ELV Dimmer recommended

CERTIFICATIONS



PACKAGING WEIGHT AND DIMENSIONS

Sky Solo	3.1LBS	10.2" X 19" X 2.4"
(Lamp)	1.4KG	26cm X 48cm X 6cm
Sky Dome Metal 18	3.1LBS	21.3" X 20.4" X 2.9"
(Shade)	1.4KG	54cm X 52cm X 7.3cm
Sky Dome Metal 24	5.1LBS	27.1" X 26.4" X 3.25"
(Shade)	2.3KG	69cm X 67cm X 8.2cm
Sky Dome Metal 32	9.5LBS	35" X 34.8" X 3.9"
(Shade)	4.3KG	89cm X 88cm X 10cm

NOTES

Custom requests can be considered on volume orders



FINISHES

LAMP



POLISHED ALUMINUM



MATTE BLACK

DOME



BLACK



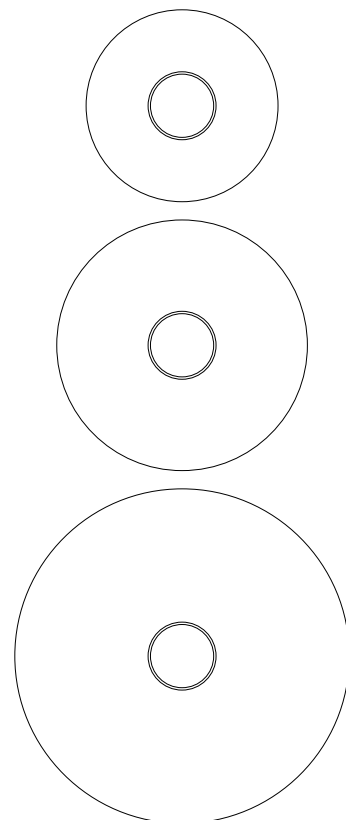
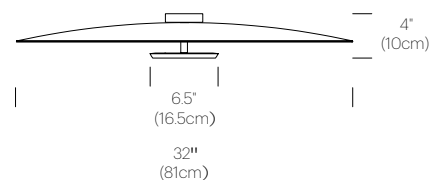
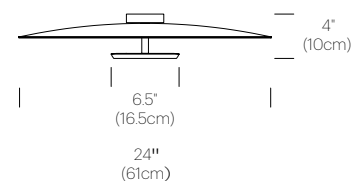
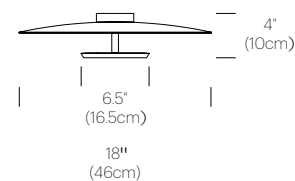
WHITE



SATIN BRASS

DIMENSIONS

SKY DOME FLUSH METAL 18, 24, 32





TALIA

Talia's refined and compact design embraces only the essential elements to fulfill its purpose. Smart and powerful, Talia is designed for maximum light control, pairing fully dimmable and glare-free flat panel technology with 360° post rotation and 180° shade rotation to satisfy both task and ambient lighting needs alike. Talia Table also features wireless induction charging to accommodate mobile devices + USB port for added convenience. Available in both Table and Floor standing models, Talia is offered in 6 elegant colorway and metallic accent combinations to provide a refined touch to any setting and decor.

Designer:
Pablo Pardo + Carmine Deganello + Pablo Studio 2020

Awards:
2021 European Product Design Award



TALIA TABLE

DESCRIPTION

Talia's refined and compact design embraces only the essential elements to fulfill its purpose. Smart and powerful, Talia is designed for maximum light control, pairing fully dimmable and glare-free flat panel technology with 360° post rotation and 180° shade rotation to satisfy both task and ambient lighting needs alike. Talia Table also features wireless induction charging to accommodate mobile devices + USB port for added convenience. Available in both Table and Floor standing models, Talia is offered in 6 elegant colorway and metallic accent combinations to provide a refined touch to any setting and decor.

FIXTURE TYPE

Table

LIGHT SOURCE

Flat Panel LED

LIGHT CONTROL

Optical switch

Full range dimming (100-10%)

2-stage dimming (100/40%)

FEATURES

Wireless charging w/ indicator light

USB charging port

360° post rotation

180° shade rotation

ADA compliant

6 hour auto off

SPECIFICATIONS

Voltage: 120/240V 50-60Hz

Power Consumption: 5.1W MAX

Color temperature: 3000K

Luminosity: 350 Lumens

Luminaire efficacy: 51 Lumens/Watt

Color Rendition Index: 90 CRI

Cable length: 6'(183cm)

Power supply: 24W

CERTIFICATIONS



FINISHES



WHITE
MATTE/GLOSS



GREY
MATTE/GLOSS



BLACK
MATTE/GLOSS



WHITE
MATTE/GLOSS
+ CHROME



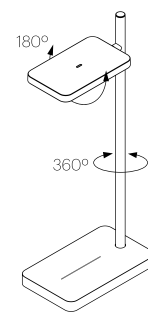
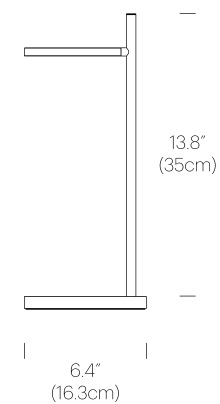
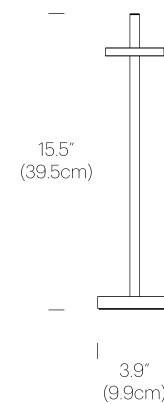
GREY
MATTE/GLOSS
+ CHROME



BLACK
MATTE/GLOSS
+ BRASS

DIMENSIONS

TALIA TABLE



PACKAGING WEIGHT AND DIMENSIONS

Talia Table	3.2LBS	18" X 8.1" X 2.2"
	1.5KG	46cm X 20.5cm X 6cm

NOTES

Custom requests can be considered on volume orders



TALIA FLOOR

DESCRIPTION

Talia's refined and compact design embraces only the essential elements to fulfill its purpose. Smart and powerful, Talia is designed for maximum light control, pairing fully dimmable and glare-free flat panel technology with 360° post rotation and 180° shade rotation to satisfy both task and ambient lighting needs alike. Talia is offered in 6 elegant colorway and metallic accent combinations to provide a refined touch to any setting and decor.

FIXTURE TYPE

Floor

LIGHT SOURCE

Flat panel LED

LIGHT CONTROL

Optical switch

Full range dimming (100-10%)

2-stage dimming (100/40%)

FEATURES

360° post rotation

180° shade rotation

ADA compliant

Flat Panel LED

6 hour auto off

SPECIFICATIONS

Voltage: 120/240V 50-60Hz

Power Consumption: 5.1W MAX

Color temperature: 3000K

Luminosity: 350 Lumens

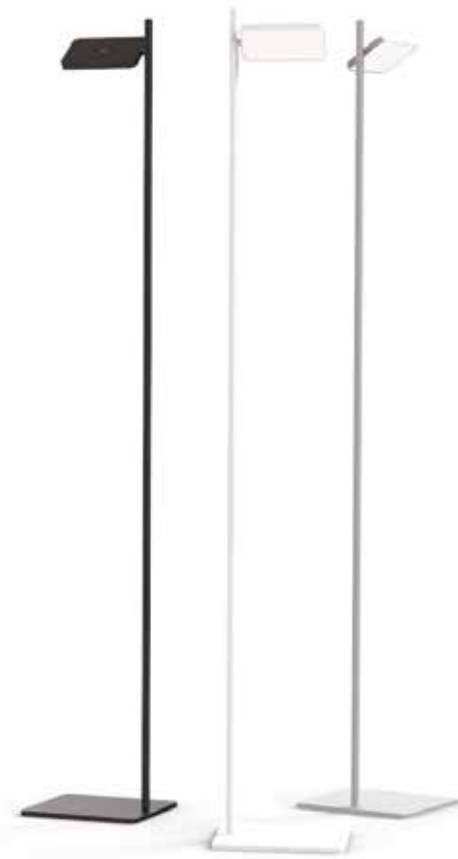
Luminaire efficacy: 51 Lumens/Watt

Color Rendition Index: 90 CRI

Cable length: 6'(183cm)

Power supply: 24W

CERTIFICATIONS

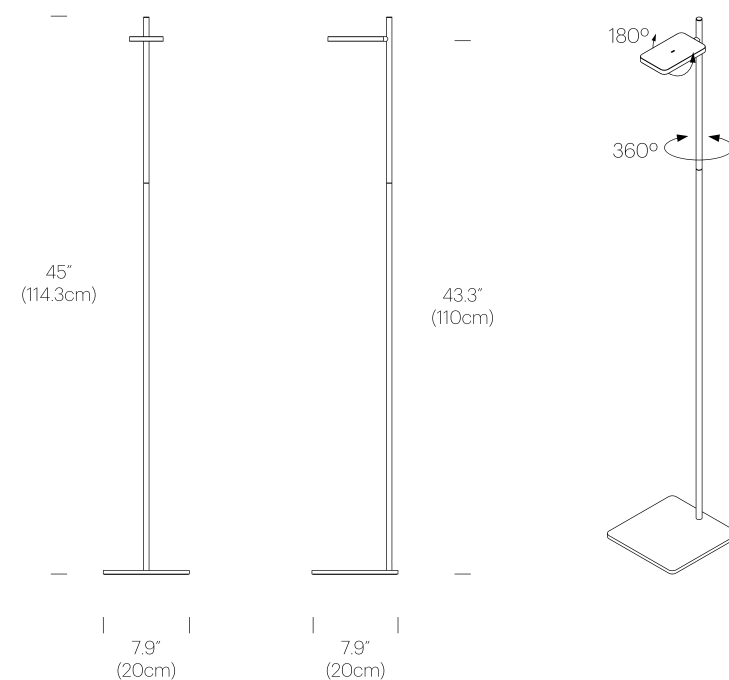


FINISHES



DIMENSIONS

TALIA FLOOR



PACKAGING WEIGHT AND DIMENSIONS

Talia Floor	7.5LBS	33.2" X 11.9" X 2.1"
	3.5KG	84cm X 30cm X 5.3cm

NOTES

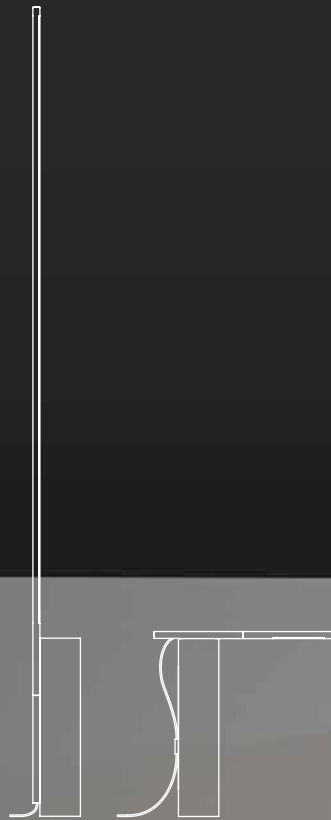
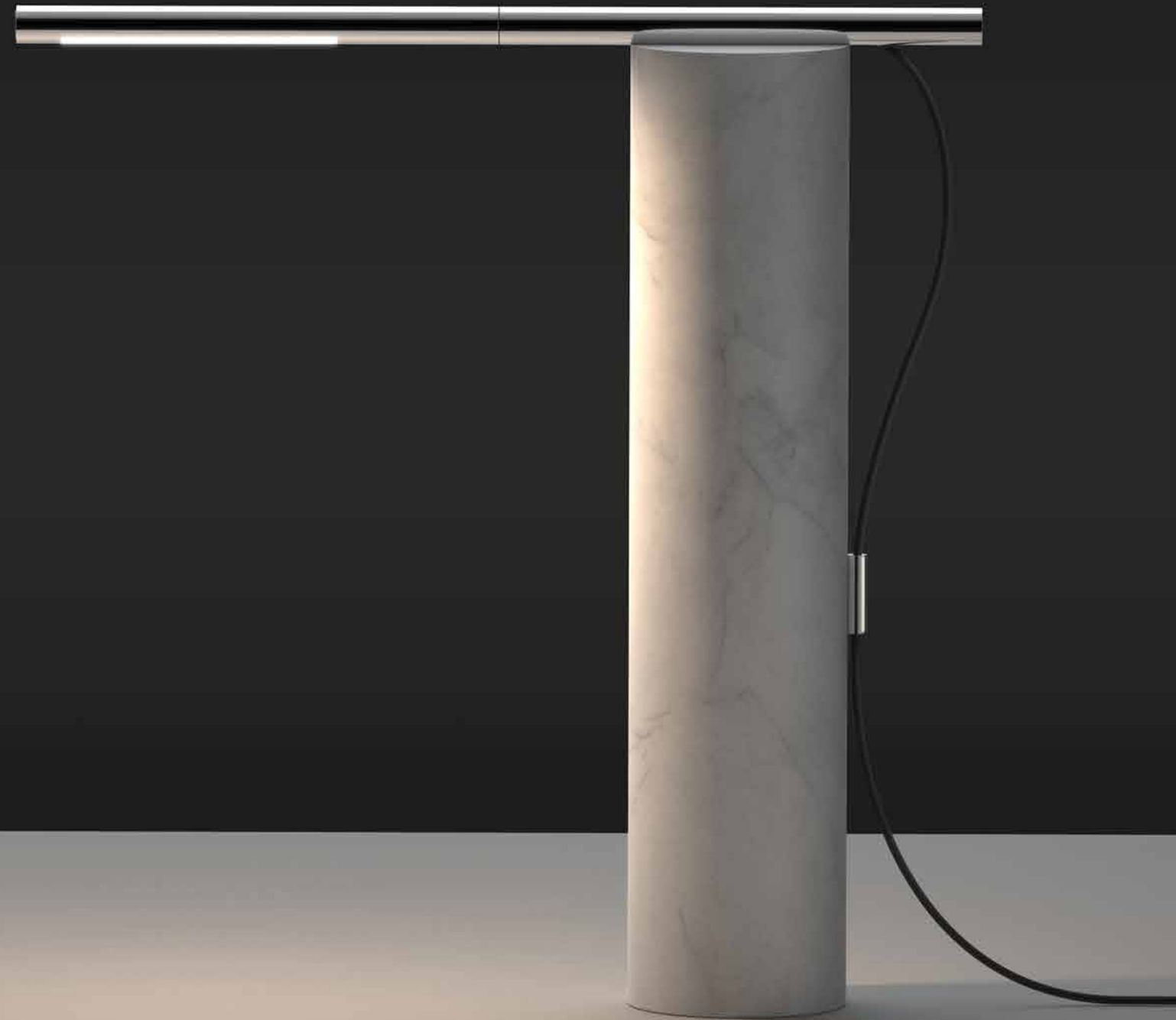
Custom requests can be considered on volume orders



T.O

T.O celebrates and reinforces the importance of light as a pillar of our daily life. A monolithic column stands to support a horizontal and vertical line of light to provide precise light control in all directions. T.O embodies a harmonious dialogue between solidity and lightness offering unlimited contexts for use in residential and workplace environments, all within a minimal footprint. T.O features a fully dimmable LED light source with tactile push switch appropriately positioned at the end of arm. Both table and floor versions feature a magnetically attached light arm over a marble cylinder base while the light wand can be rotated up to 360 degrees to provide both direct and indirect light for task and ambient lighting needs alike. T.O is offered in 2 marble base finishes in Marquina black and Carrara white while the light arm is elegantly contrasted in polished surfaces in brass and chrome. T.O is a seamless integration of functional lighting and sculpture.

Designer:
Carmine Deganello + Pablo Studio 2021



T.O TABLE

DESCRIPTION

T.O celebrates and reinforces the importance of light as a pillar of our daily life. A monolithic column stands to support a horizontal and vertical line of light to provide precise light control in all directions. T.O embodies a harmonious dialogue between solidity and lightness offering unlimited contexts for use in residential and workplace environments, all within a minimal footprint. T.O features a fully dimmable LED light source with tactile push switch appropriately positioned at the end of arm. Both table and floor versions feature a magnetically attached light arm over a marble cylinder base while the light wand can be rotated up to 360 degrees to provide both direct and indirect light for task and ambient lighting needs alike. T.O is offered in 2 matte base finishes in Marquina black and Carrara white while the light arm is elegantly contrasted in polished surfaces in brass and chrome. T.O is a seamless integration of functional lighting and sculpture.

FIXTURE TYPE

Table

LIGHT SOURCE

High output LED array

LIGHT CONTROL

Mechanical push button
Full range dimming (100-10%)
2-stage dimming (100/40/%)

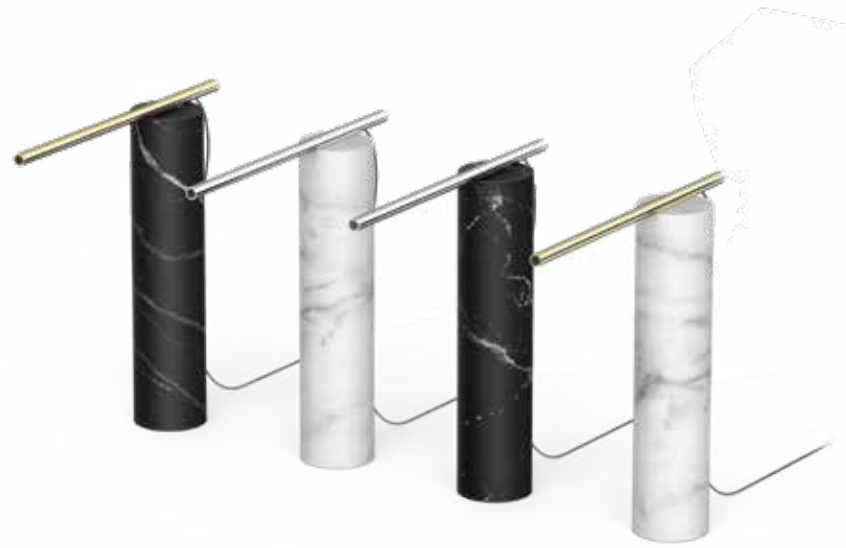
FEATURES

360° arm rotation
Advanced LED array eliminates multiple shadows

SPECIFICATIONS

Voltage: 120-240V 50/60Hz
Power Consumption: 4.5W
Color Temperature: 3000K
Luminosity: 300 Lumens
Luminaire efficacy: 67 Lumens/Watt
Color Rendition Index: 90 CRI
Cord length: 6' (1.8m)

CERTIFICATIONS



FINISHES

BASE



MARQUINA BLACK



CARRARA WHITE

ARM



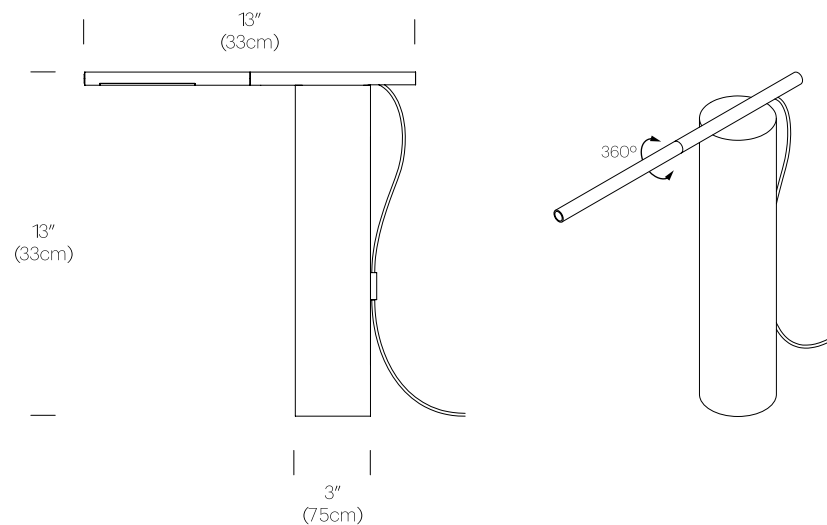
BRASS



CHROME

DIMENSIONS

T.O TABLE

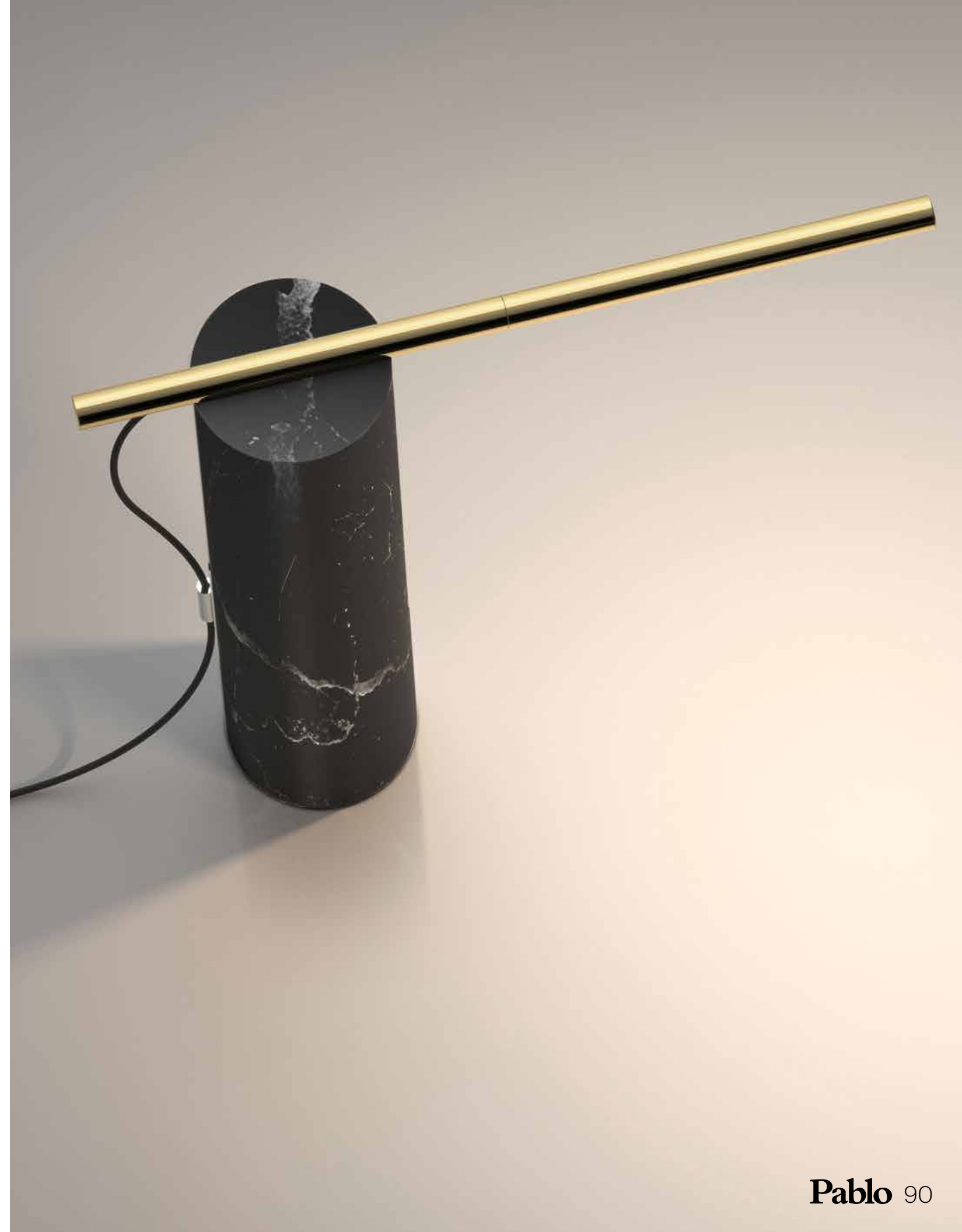


PACKAGING WEIGHT AND DIMENSIONS

T.O Table	8LBS	6" X 6" X 15.75"
	4KG	15cm X 15cm X 40cm

NOTES

Custom requests can be considered on volume orders





T.O FLOOR

DESCRIPTION

T.O celebrates and reinforces the importance of light as a pillar of our daily life. A monolithic column stands to support a vertical line of light to provide precise light control. T.O embodies a harmonious dialogue between solidity and lightness offering unlimited contexts for use in residential and workplace environments, all within a minimal footprint. T.O features a fully dimmable LED light source with tactile push switch appropriately positioned at the end of arm. Both table and floor versions feature a magnetically attached light arm over a marble cylinder base while the light wand can be rotated up to 360 degrees to provide both direct and indirect light for task and ambient lighting needs alike. T.O is offered in 2 matte base finishes in Marquina black and Carrara white while the light arm is elegantly contrasted in polished surfaces in brass and chrome. T.O is a seamless integration of functional lighting and sculpture.

FIXTURE TYPE

Floor

LIGHT SOURCE

High output LED array

LIGHT CONTROL

Mechanical push button

Full range dimming (100-10%)

2-stage dimming (100/40%)

FEATURES

360° arm rotation

Advanced LED array eliminates multiple shadows

SPECIFICATIONS

Voltage: 120-240V 50/60Hz

Power Consumption: 10W

Color Temperature: 3000K

Luminosity: 750 Lumens

Luminaire efficacy: 75 Lumens/Watt

Color Rendition Index: 90 CRI

Cable Length: 6' (1.8m)

CERTIFICATIONS



PACKAGING WEIGHT AND DIMENSIONS

T.O Floor	9.5LBS	6.25" X 6.25" X 16"
(Base)	4.3KG	16cm X 16cm X 40cm
T.O Floor	2.3LBS	2.25" X 64"
(Lamp arm)	1KG	5.7cm X 162cm

NOTES

Custom requests can be considered on volume orders



FINISHES

BASE



MARQUINA BLACK



CARRARA WHITE

ARM



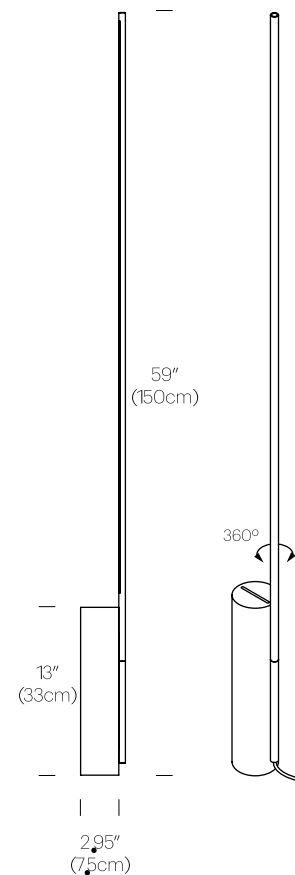
BRASS



CHROME

DIMENSIONS

T.O FLOOR



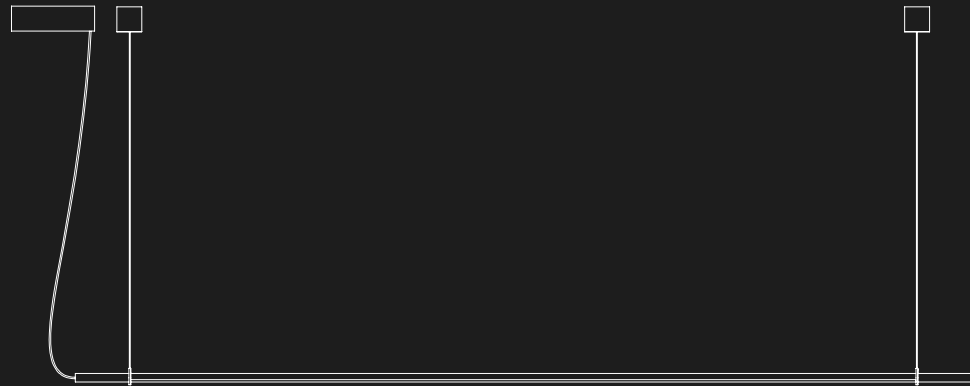


Minimalista

T.O PENDANT

T.O Pendant celebrates the importance of light as a pillar of daily life. T.O features an elegant wand of light suspended by two decorative woven nylon belts finished with over-molded features that allow for full 360-degree rotation to direct light in all directions. T.O Pendant can transform from a direct task-oriented light to indirect ambience with minimal effort. It's suspension system allows for ultimate freedom and creativity to suspend in a wide variety of configurations from a linear series, to multi-axis and multi-level groupings to create stunning displays for residential and workplace environments alike. T.O Pendant's is offered in Polished Chrome, Brass, Gunmetal and Matte Black finishes paired with colorful suspension belts in Burnt Orange, Olive Green, Denim Blue, and Graphite and can be mixed and matched to any desire.

Designer:
Carmine Deganello + Pablo Studio 2022



T.O PENDANT

DESCRIPTION

T.O Pendant celebrates the importance of light as a pillar of daily life. T.O features an elegant wand of light suspended by two decorative woven nylon belts finished with over-molded features that allow for full 360-degree rotation to direct light in all directions. T.O Pendant can transform from a direct task-oriented light to indirect ambience with minimal effort. It's suspension system allows for ultimate freedom and creativity to suspend in a wide variety of configurations from a linear series, to multi-axis and multi-level groupings to create stunning displays for residential and workplace environments alike. T.O Pendant's is offered in Polished Chrome, Brass, Gunmetal and Matte Black finishes paired with colorful suspension belts in Burnt Orange, Olive Green, Denim Blue, and Graphite and can be mixed and matched to any desire.

FIXTURE TYPE

Pendant

LIGHT SOURCE

High output LED array

LIGHT CONTROL

Mechanical push button
Full range dimming (100-10%)
2-stage dimming (100/40%)

FEATURES

360° arm rotation
Advanced LED array eliminates multiple shadows

SPECIFICATIONS

Voltage: 120-240V 50/60Hz
Power Consumption: 10W
Color Temperature: 2700K
Luminosity: 750 Lumens
Luminaire efficacy: 75 Lumens/Watt
Color Rendition Index: 90 CRI
Cable Length: 10' (3m)
Belt Length: 10' (3m)

CERTIFICATIONS



PACKAGING WEIGHT AND DIMENSIONS

T.O Pendant	2.5LBS	3" X 6" X 57"
	1.13KG	7.6cm X 15cm X 145cm

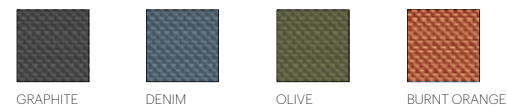
NOTES

Custom requests can be considered on volume orders
***Available Winter 2022**



FINISHES

SUSPENSION BELT



LAMP

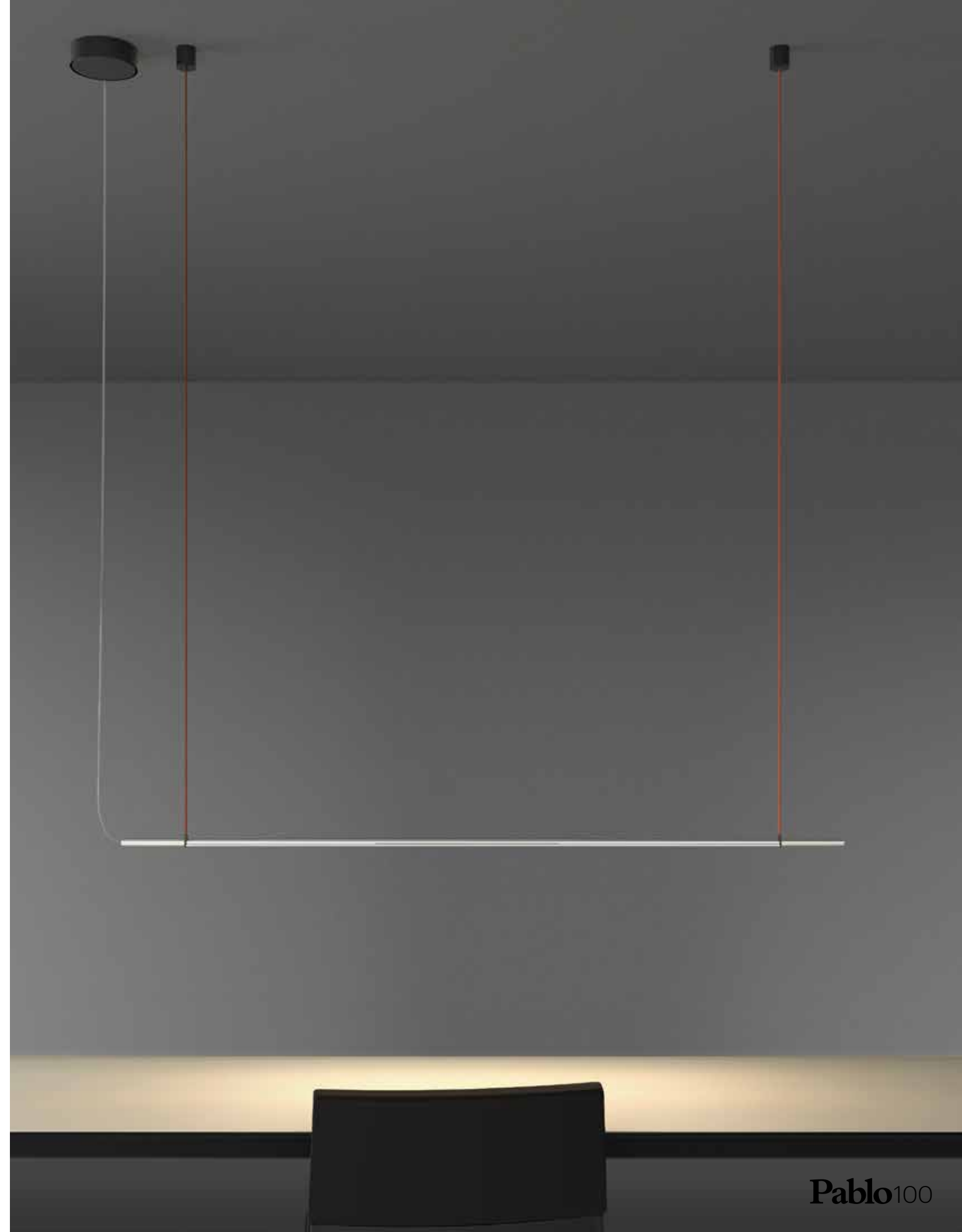


DIMENSIONS

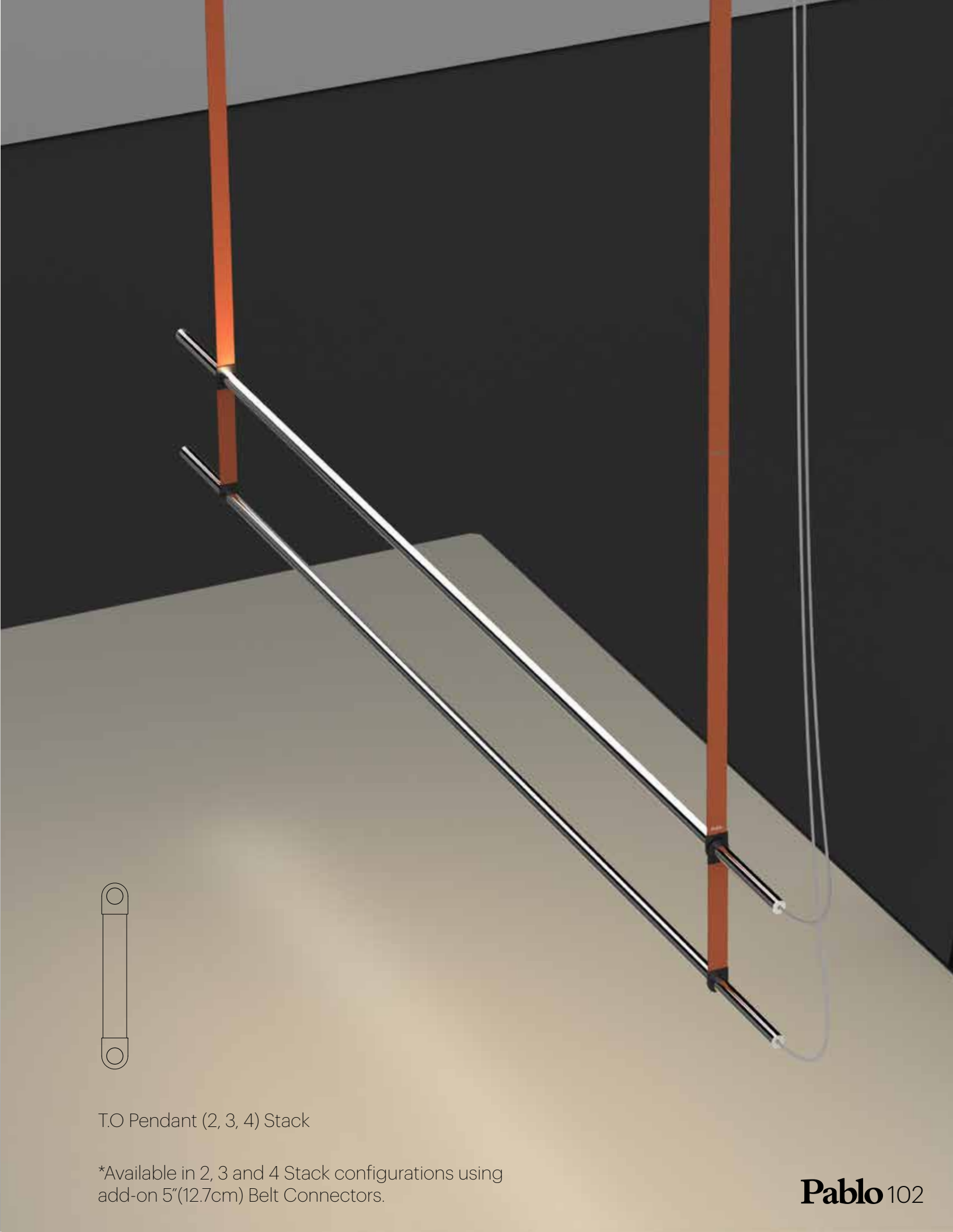
T.O PENDANT



T.O PENDANT (2, 3, 4) STACK

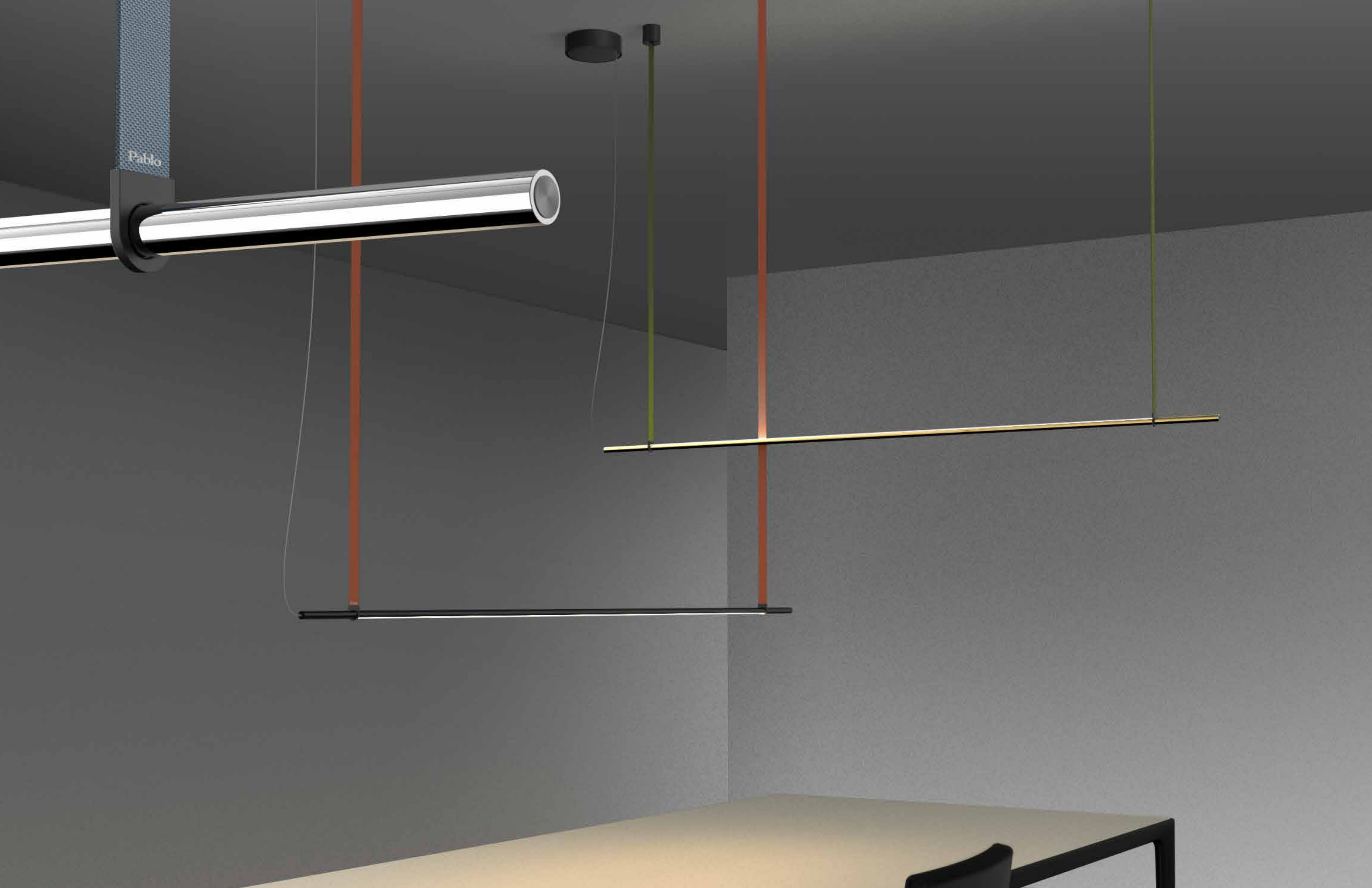


Universal Canopy with Belt Mount



T.O Pendant (2, 3, 4) Stack

*Available in 2, 3 and 4 Stack configurations using add-on 5"(12.7cm) Belt Connectors.

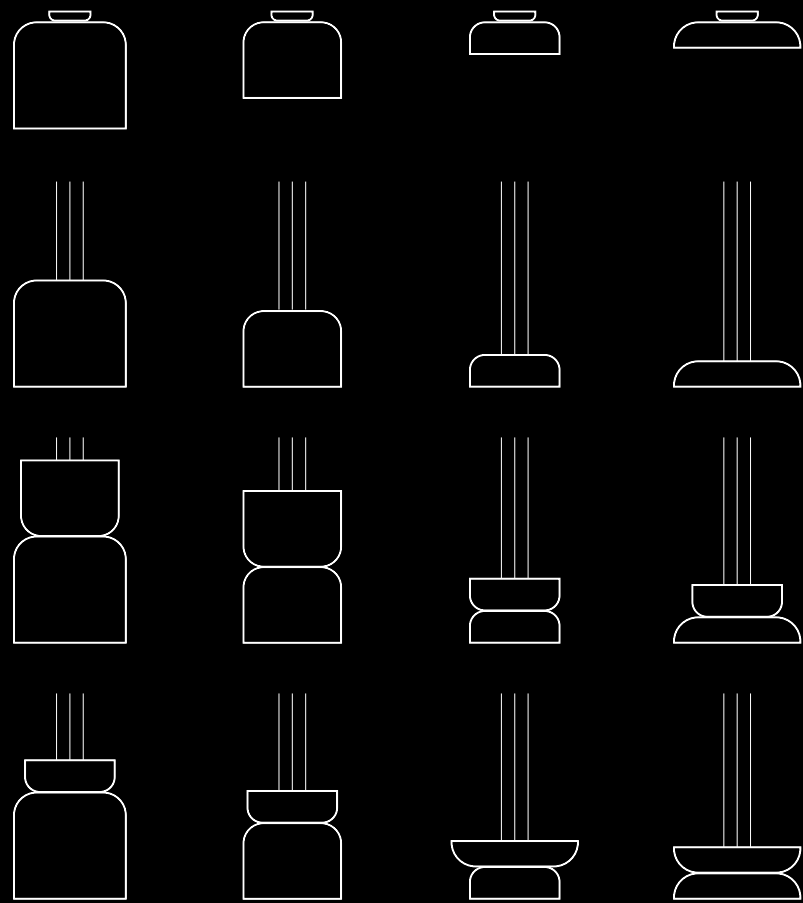


Pablo

TOTEM

Totem is a versatile pendant lighting collection comprised of exquisitely blown opal glass shades designed around a modular platform. Totem's soft, pure white geometric forms provide a charming interplay of unique combinations to provide warmth and elegance to any space. Users can select from 4 shade styles (A,B,C,D) to mix and match to create an ensemble of 20 unique pendant combinations. Totem provides both direct and indirect illumination by employing a two-part LED light engine that provides both uplight and downlight resulting in a warm and dimmable ambient glow projecting through its softly diffused glass structure. Totem singles can be used in flush mount down-light only scenarios as well.

Designer:
Pablo Pardo + Pablo Studio 2022





TOTEM

DESCRIPTION

Totem is a versatile pendant lighting collection comprised of exquisitely blown opal glass shades designed around a modular platform. Totem's soft, pure white geometric forms provide a charming interplay of unique combinations to provide warmth and elegance to any space. Users can select from 4 shade styles (A,B,C,D) to mix and match to create an ensemble of 20 unique pendant combinations. Totem provides both direct and indirect illumination by employing a two-part LED light engine that provides both uplight and downlight resulting in a warm and dimmable ambient glow projecting through its softly diffused glass structure. Totem singles can be used in flush mount downlight only scenarios as well.

FIXTURE TYPE

Pendant

LIGHT SOURCE

High output LED array

LIGHT CONTROL

Fully dimmable

FEATURES

20 Unique Pendant Combinations
Uplight/Downlight

SPECIFICATIONS

Voltage: 120-240V 50/60Hz
Power Consumption: 20W
Color Temperature: 2700-2200K DTW (Dim-to-Warm)
Luminosity: 1500 Lumens Total (1000down/500up)
Luminaire efficacy: 75 Lumens/Watt
Color Rendition Index: 90 CRI
Cable Length: 10' (3m)

CERTIFICATIONS



FINISHES

CANOPY



WHITE

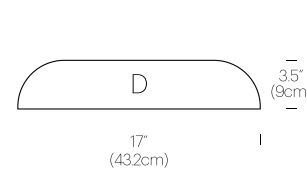
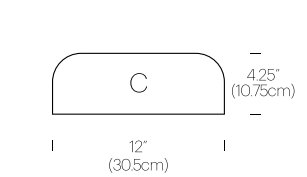
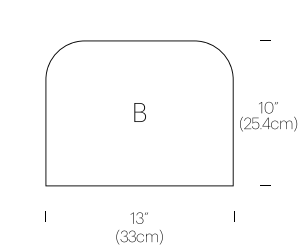
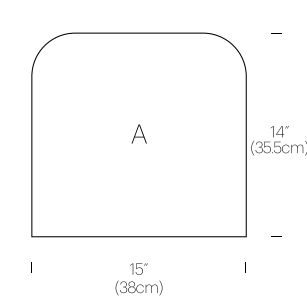
SHADE



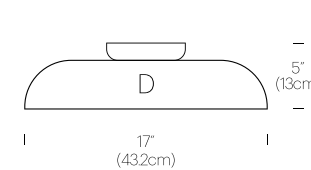
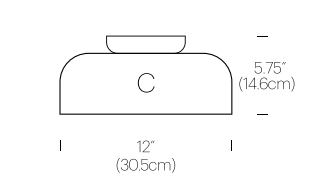
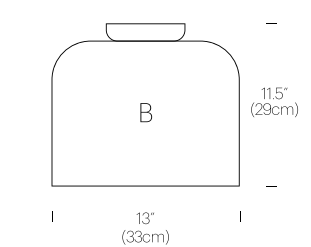
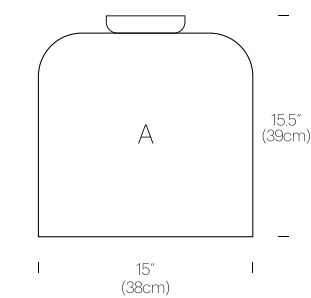
OPAL GLASS

DIMENSIONS

TOTEM PENDANT

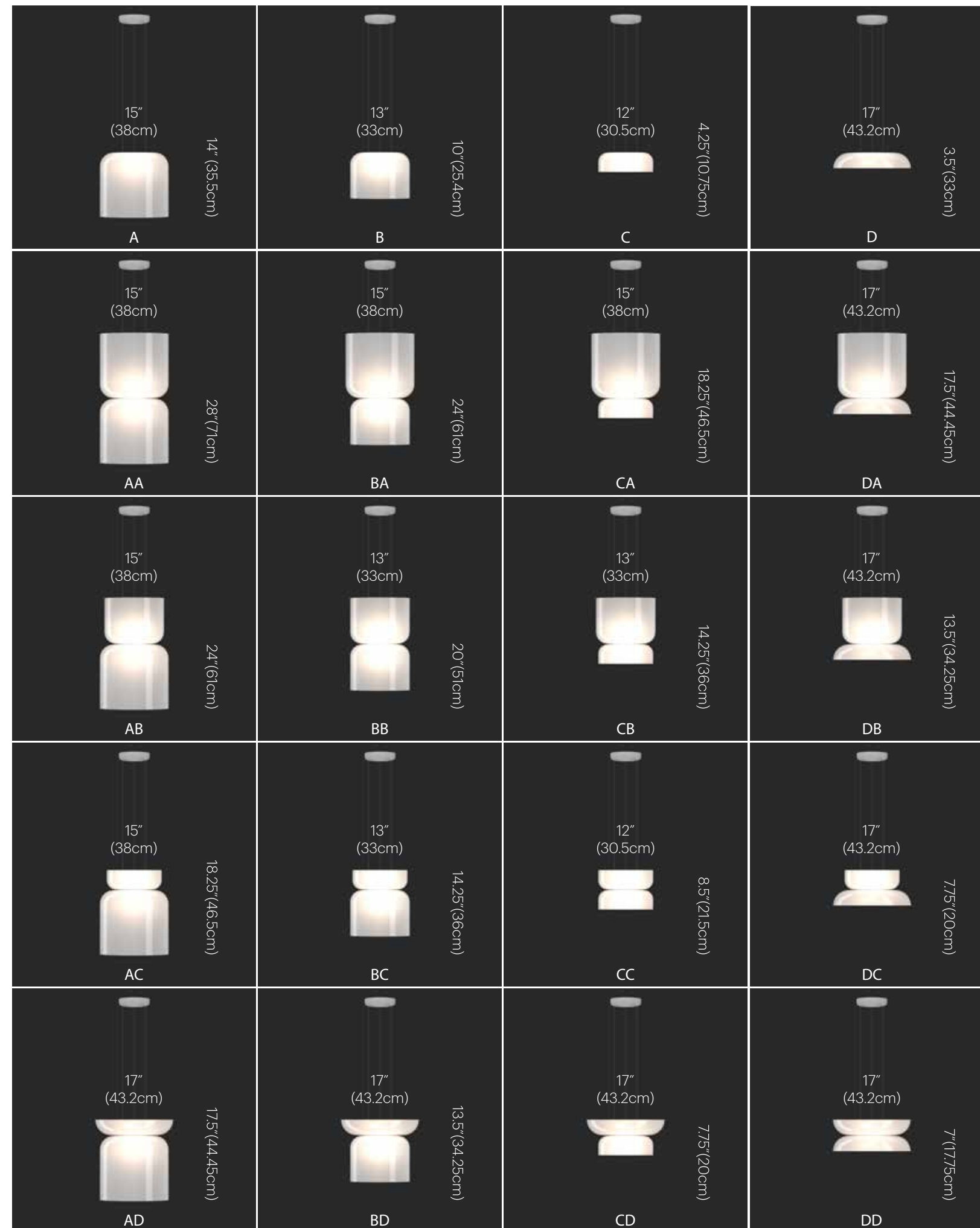


TOTEM FLUSH



NOTES

Custom requests can be considered on volume orders
***Available Winter 2022**



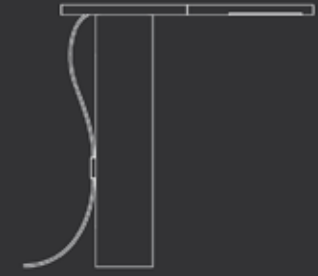
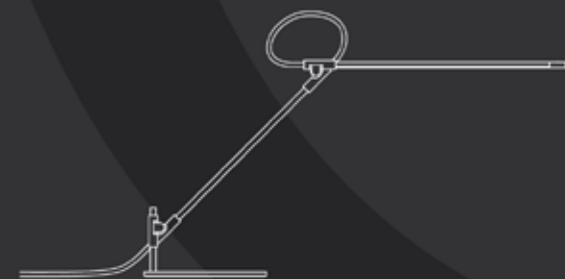
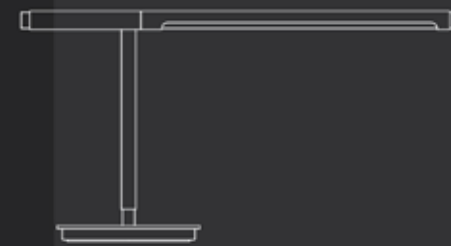
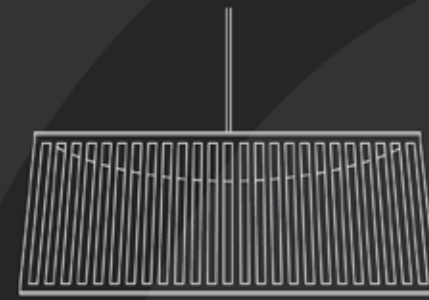
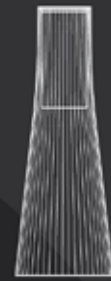
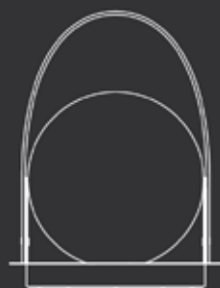
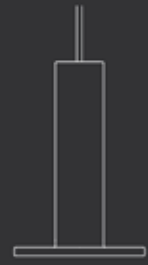
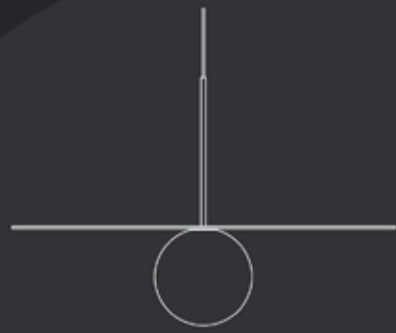


DISPLAYED TOP TO BOTTOM DC, DC, DD, DD, DC



DISPLAYED DD, DA, BC





Pablo
CELEBRATING
30 YEARS OF
ILLUMINATION

DISTRIBUTORS

NETHERLANDS & FLANDERS

A4Lighting
Paleismuur 70
3991 VV Houten
T: +31(0)64 633 94 31
E: info@a4lighting.com

FINLAND

Petri Puotiniemi
E: info@noneka.fi
T: +358 400 604 208

FRANCE

TOLight Sas
Eva Abrous
Agent Commercial
Région Parisienne et le
Nord de la France
T: 07 81 06 27 84
E: eabrous@hotmail.com

MCB Lighting
Marie-Christine BARTHOLET
Rhon Alpes Auvergne Franche
Comte+05
T: 06 40 09 97 17
E: mcblighting@outlook.com

Agence SAGOT
Oliver Sagot
North West France
T: 06 31 69 82 56
E: olivier@agencesagot.fr
www.agencesagot.fr

GERMANY

ElbLUX
Röttgers Mühle 3
Hamburg, 22587
T: +49 40 801190
T: +49 170 2371356
E: elblux@elblux.de

ISRAEL

Cley-or Art of Light
6 Hanezach St.
Ramat Hasharon
Israel
T: +972 73 705 5525
E: office@cley-or.co.il

ITALY

TOLight Sas di Gianfausto Abbatali
Via Passo del Moncenisio, 40
25136 - Brescia
T: +39 3895176926
E: info@tolight.eu
www.tolight.eu

NORWAY, SWEDEN & DENMARK

join agenturer
Jonas Ingemansson
Södra Förstadsgatan 3
211 43 Malmö
T: +46 730515456
E: jonas@joinagenturer.se
www.joinagenturer.se

POLAND

Interium Roman Rauch
Ul. Grochowska 234/240
04-368 Warszawa
T: +48 22 303 97 75
E: info@e-interium.pl
www.e-interium.pl

PORTUGAL

DomoLed
Nucleo Empresarial da Abrunheira
Zona Poente, Pav.4 Abrunheira Sintra
2710-089
T: +351 219 111 201
E: geral@domoled.pt

SPAIN

Tuscaloosa
Filatures 1-8
08690 Santa Coloma de
Cervella
Barcelona
T: +34 670 288 505
E: kstaib@tuscaloosa.es

SWITZERLAND

Wirzpartner GmbH
Werner-Weber str 11
CH 8630 Rüti
T: +41 55 260 19 60
E: info@wirzpartner.ch
www.wirzpartner.ch

UNITED KINGDOM & IRELAND

McInnes Cook LIGHT
4-5 Rudgate Business Park
Tockwith
North Yorkshire, United Kingdom
YO26 7RD
T: +44 1423 359988
E: info@mcinnescook.com
www.mcinnescook.com

PABLO DESIGNS B.V

Pablo Designs EU
13-15 Rijnkade
1382 GS, Weesp
The Netherlands
T: +31 318728107
E: info@pablodesigns.eu
www.pablodesigns.eu



Pablo®

INFO@PABLODESIGNS.COM
888 MARIN STREET
SAN FRANCISCO, CA 94124
USA T: +1 415 865 5000
F: +1 415 865 0500
PABLODESIGNS.COM

INFO@PABLODESIGNS.EU
Netherlands +31 31 872 8107
PABLODESIGNS.EU